

# 45 MINUTE FIRE RATED WINDOWS, SIDELITES, TRANSOMS



FIRE RATED



POSITIVE PRESSURE



APPROVED WITH SAFTI **FIRST** GLAZING



SAFETY GLAZING



GREEN



LISTED BY INTERTEK



LISTED BY UL



USA-MADE

## PRODUCT ADVANTAGES

- ▶ Tested to NFPA 257/UL 9 for windows and NFPA 252/UL 10B/ UL 10C for sidelites and transoms.
- ▶ Available with a clear view of up to 4,952 in.<sup>2</sup> with **SuperLite® II-XL 45** or a clear view of up to 3,880 in.<sup>2</sup> with patent-pending, more economical **SuperClear® 45-HS-LI** (hose stream, low-iron) by **SAFTI FIRST®**. Maximum clear view height or width not to exceed 124 in. For other available approved glazings, call **Titan Metal Products**.
- ▶ Multiple frame face profiles available from 2-½ in. to 3-¼ in.
- ▶ For interior or exterior applications.
- ▶ Listed and labeled by Intertek.
- ▶ USA-manufactured for fast lead times and competitive pricing.
- ▶ 5 year manufacturer's warranty.



## FRAME CONSTRUCTION

Frames are constructed in steel or aluminum. Frames are shipped standard knocked down for easy installation in the field or welded as an option.

## APPROVALS

NFPA 80, NFPA 257, UL 9, NFPA 252, UL 10B, UL 10C, CAN/ULC-S104, CAN/ULC-S106, CPSC 16 CFR 1201 Cat. I. & II, ANSI Z97.1, HMMA 860, HMMA 861, HMMA 866



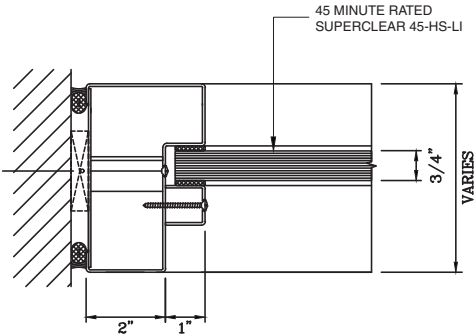
**Titan Metal Products**

USA

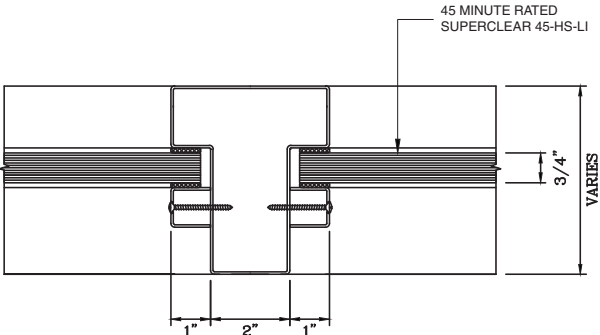
1-866-TITANMP (848-2667) | [www.titanmetalproducts.com](http://www.titanmetalproducts.com)

# 45 MINUTE FIRE RATED WINDOWS, SIDELITES, TRANSOMS

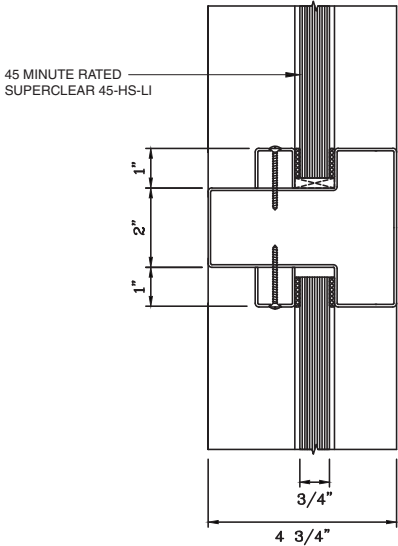
## TYPICAL DETAILS



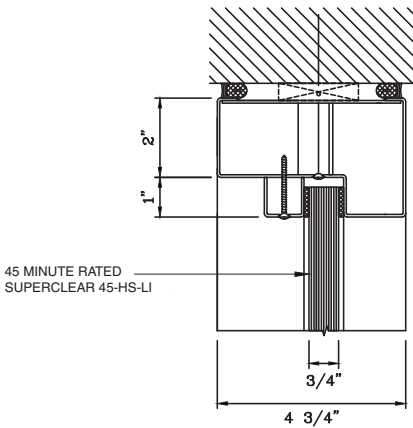
**JAMB DETAIL**



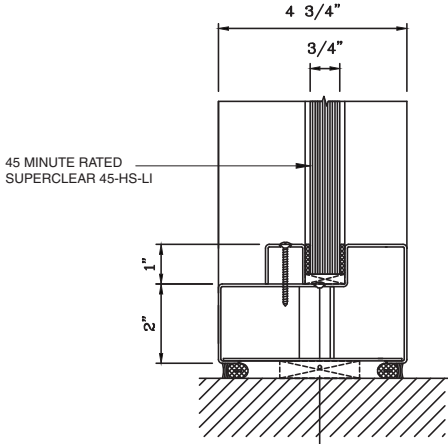
**VERTICAL MULLION DETAIL**



**HORIZONTAL MULLION DETAIL**



**HEAD DETAIL**



**SILL DETAIL**

## MEMBERSHIPS



© Titan Metal Products. February 2021



1-866-TITANMP (848-2667) | www.titanmetalproducts.com