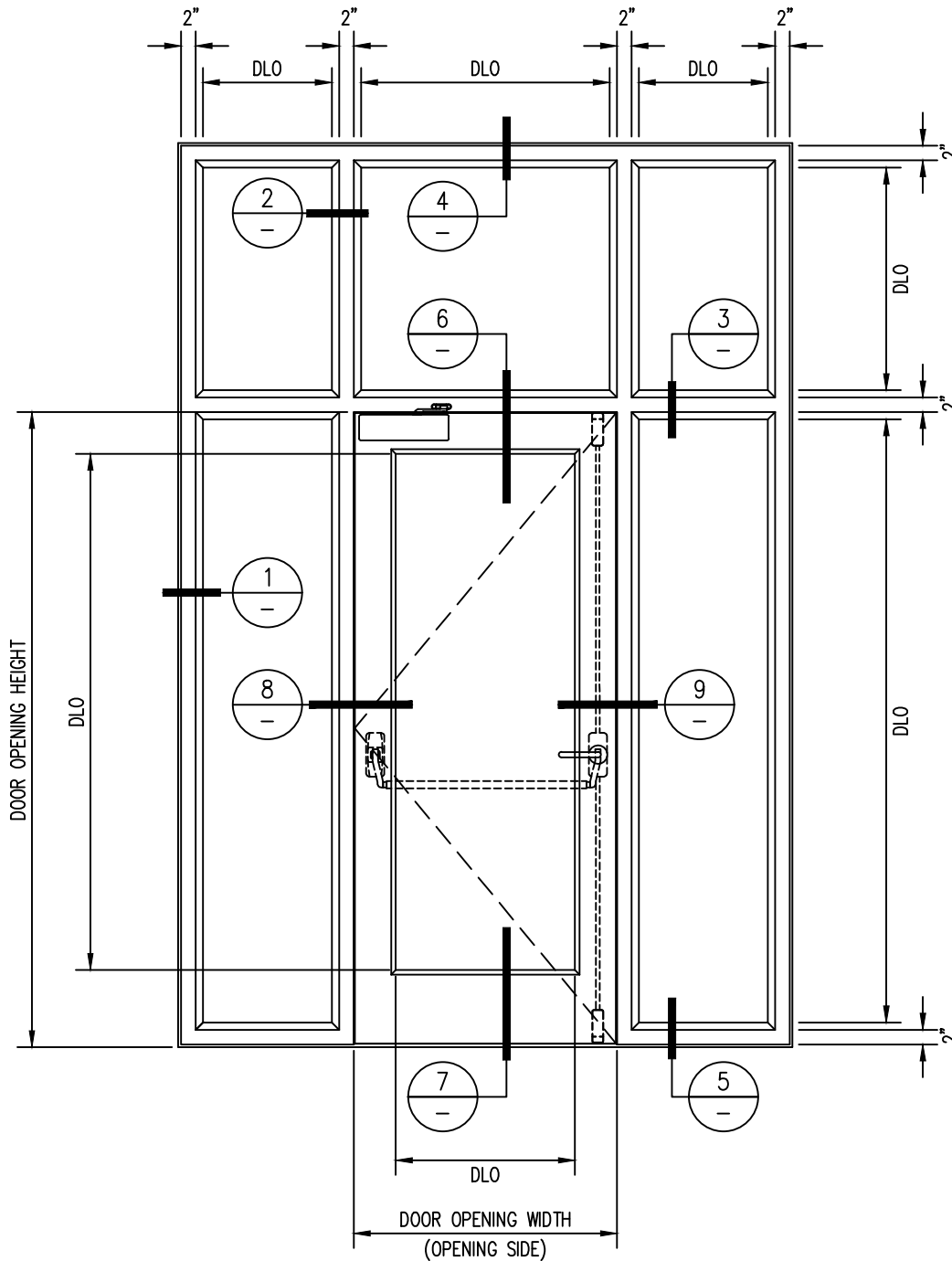


20 MINUTE FIRE PROTECTIVE SINGLE DOOR  
WITH 45 MINUTE FIRE PROTECTIVE SIDELITES/TRANSOMS  
 -INTERIOR APPLICATION-



**Titan**

METAL DOORS & FRAMING  
 1891 Wardrobe Ave Merced CA 95341  
 Tel: 866.848.2667 Fax: 209.626.3285

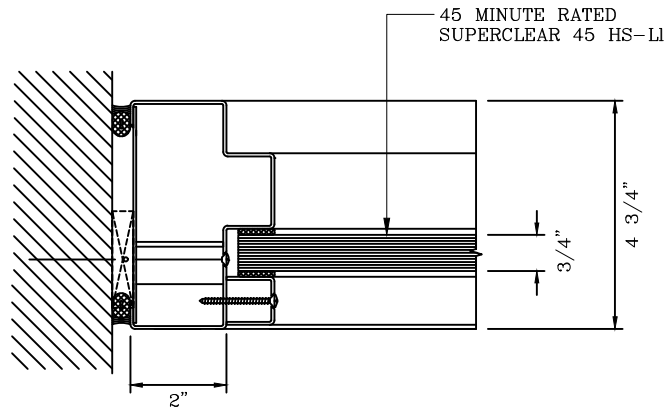
DATE:

DRAWN:

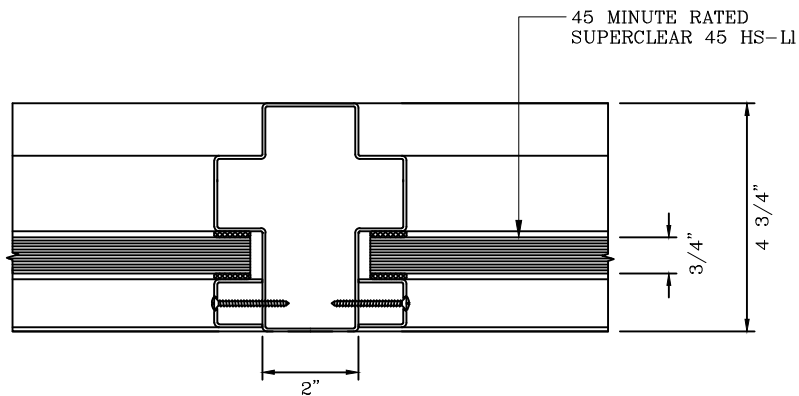
SCALE:

These details are subject to change without notice.

20 MINUTE FIRE PROTECTIVE SINGLE DOOR  
WITH 45 MINUTE FIRE PROTECTIVE SIDELITES/TRANSOMS  
 -INTERIOR APPLICATION-



1 JAMB DETAIL



2 VERTICAL MULLION DETAIL



**Titan**

METAL DOORS & FRAMING

1891 Wardrobe Ave Merced CA 95341  
 Tel: 866.848.2667 Fax: 209.626.3285

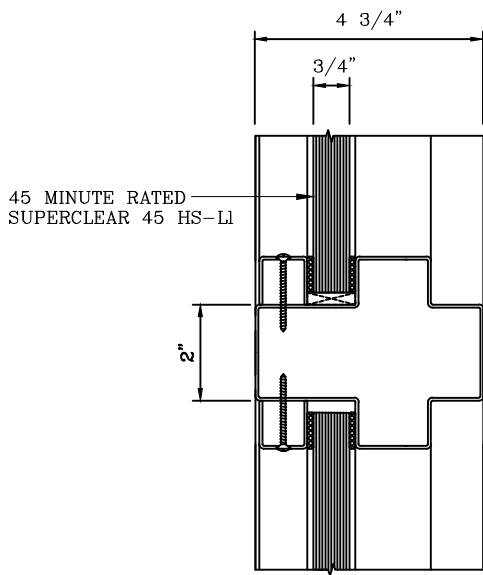
DATE:

DRAWN:

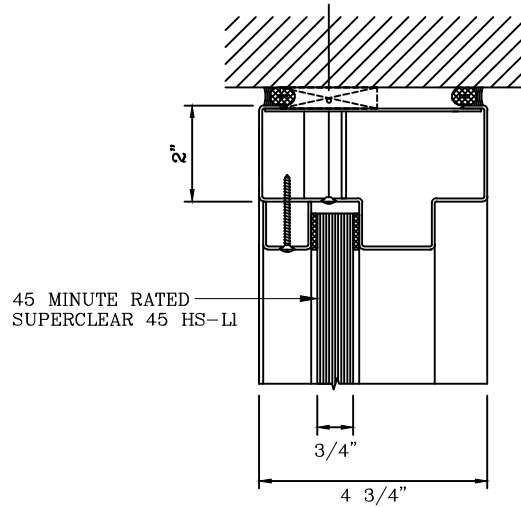
SCALE:

These details are subject to change without notice.

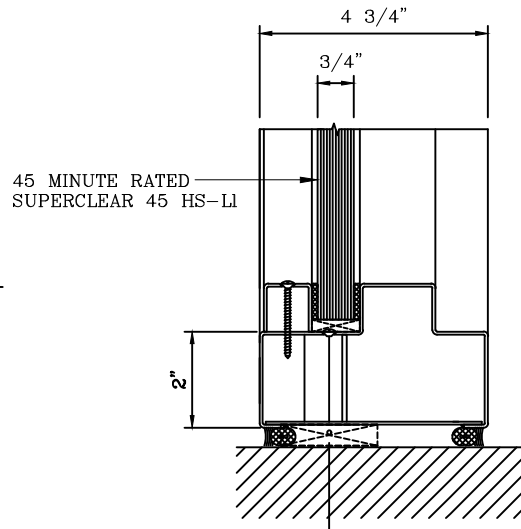
20 MINUTE FIRE PROTECTIVE SINGLE DOOR  
WITH 45 MINUTE FIRE PROTECTIVE SIDELITES/TRANSOMS  
 -INTERIOR APPLICATION-



3 HORIZONTAL MULLION DETAIL



4 HEAD DETAIL



5 SILL DETAIL



**Titan**

METAL DOORS & FRAMING  
 1891 Wardrobe Ave Merced CA 95341  
 Tel: 866.848.2667 Fax: 209.626.3285

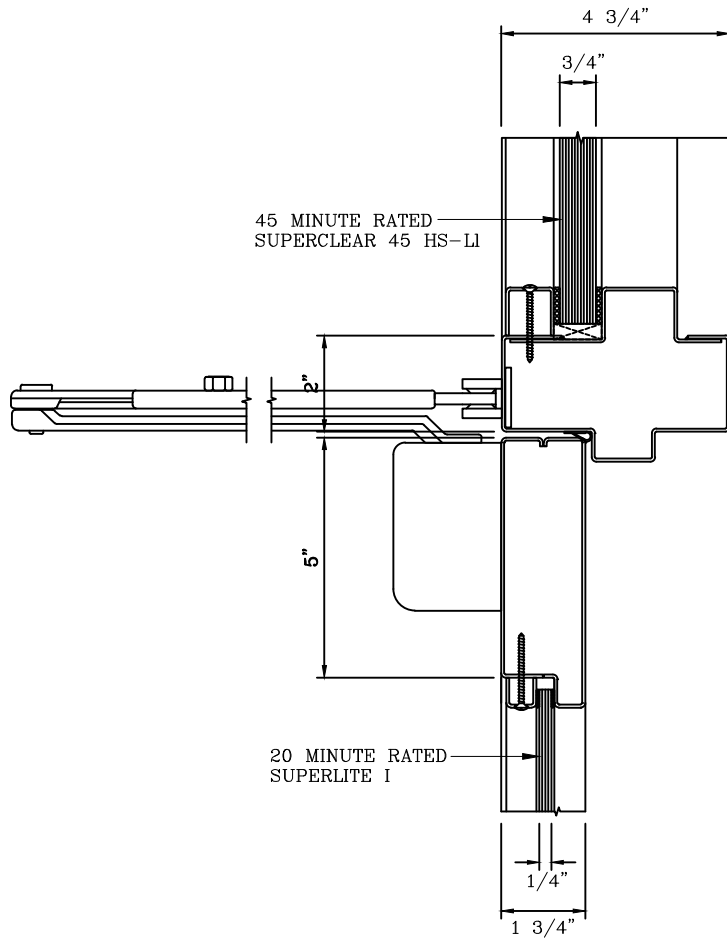
DATE:

DRAWN:

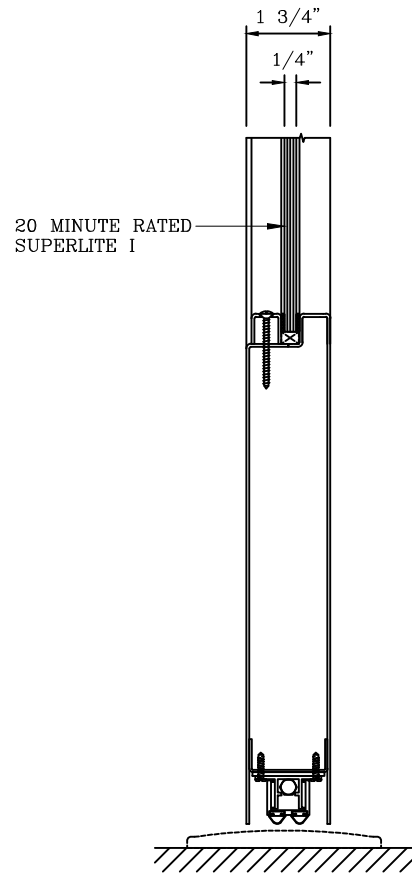
SCALE:

These details are subject to change without notice.

20 MINUTE FIRE PROTECTIVE SINGLE DOOR  
WITH 45 MINUTE FIRE PROTECTIVE SIDELITES/TRANSOMS  
 -INTERIOR APPLICATION-



6 DOOR TOP RAIL DETAIL



7 DOOR BOTTOM RAIL DETAIL



**Titan**

METAL DOORS & FRAMING  
 1891 Wardrobe Ave Merced CA 95341  
 Tel: 866.848.2667 Fax: 209.626.3285

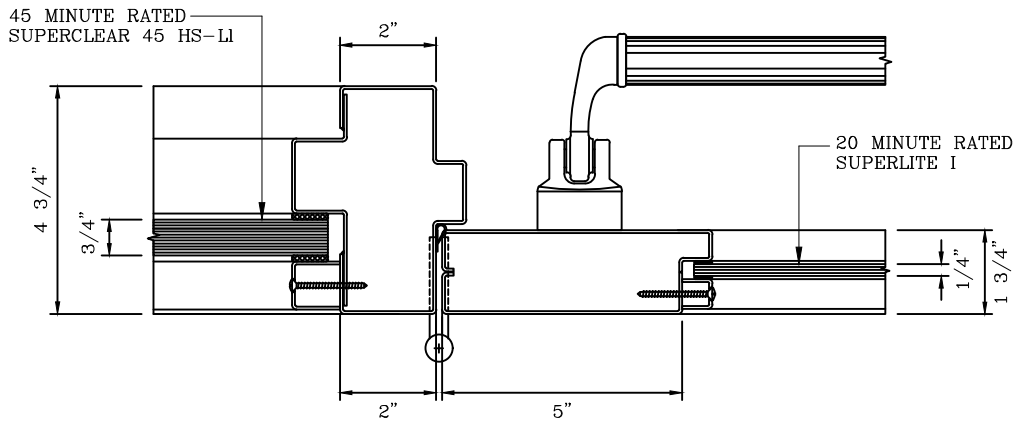
DATE:

DRAWN:

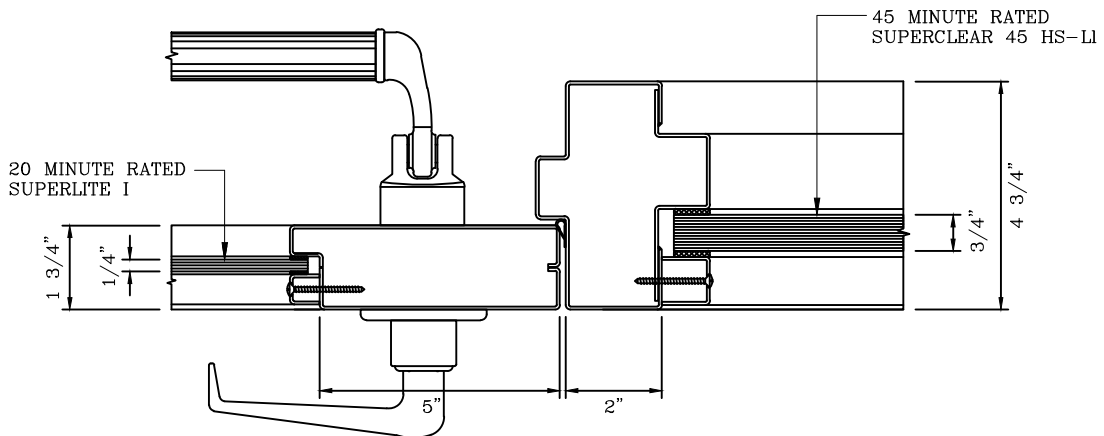
SCALE:

These details are subject to change without notice.

# 20 MINUTE FIRE PROTECTIVE SINGLE DOOR WITH 45 MINUTE FIRE PROTECTIVE SIDELITES/TRANSOMS -INTERIOR APPLICATION-



8 DOOR JAMB at HINGE DETAIL



9 DOOR JAMB at LOCK DETAIL



# Titan

METAL DOORS & FRAMING  
1891 Wardrobe Ave Merced CA 95341  
Tel: 866.848.2667 Fax: 209.626.3285

DATE:

DRAWN:

SCALE:

These details are subject to change without notice.