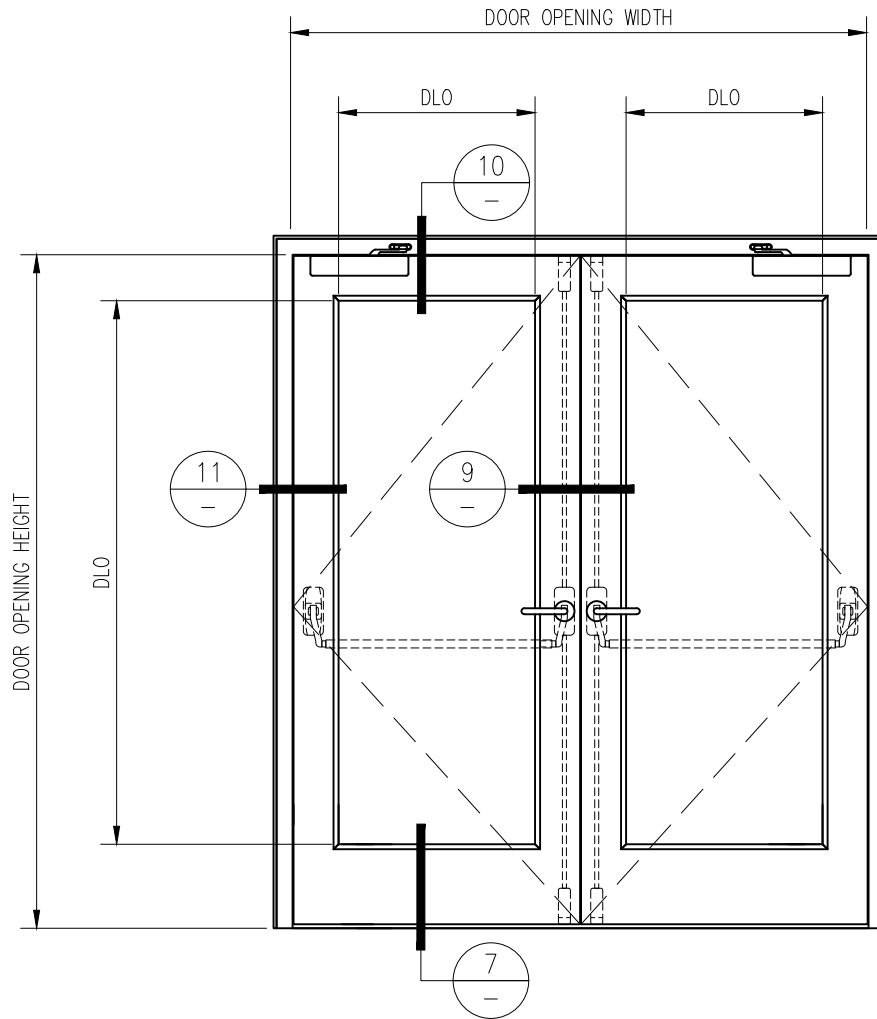


20 MINUTE FIRE PROTECTIVE DOOR PAIR

-INTERIOR APPLICATION-



Titan

1891 Wardrobe Ave Merced CA 95341
 Tel: 866.848.2667 Fax: 209.626.3285

DATE:

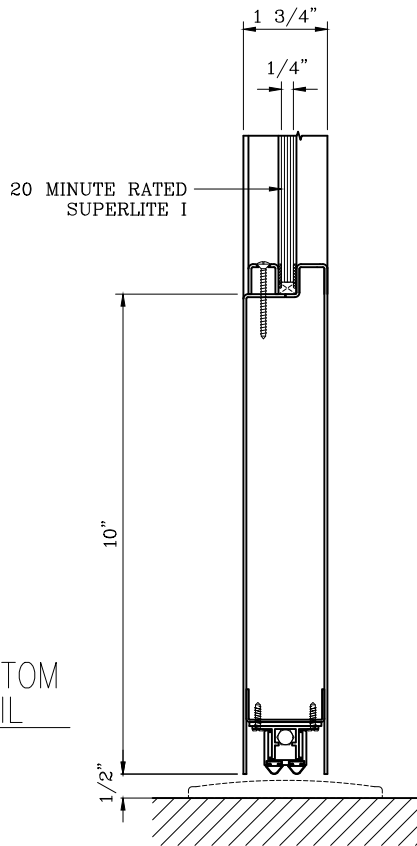
DRAWN:

SCALE:

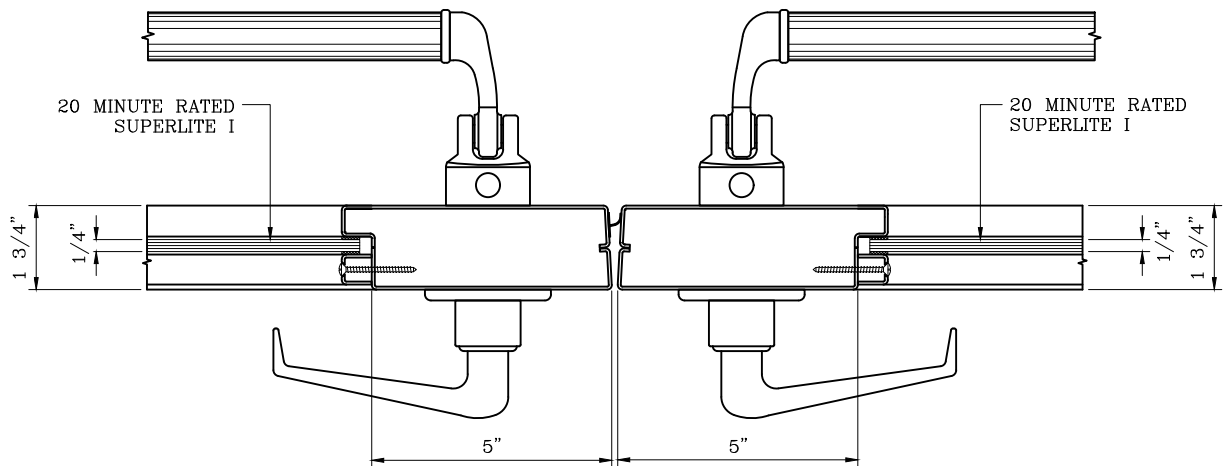
These details are subject to change without notice.

20 MINUTE FIRE PROTECTIVE DOOR PAIR

-INTERIOR APPLICATION-



7
—
DOOR BOTTOM
RAIL DETAIL



9
—
DOOR MEETING STILES DETAIL



Titan

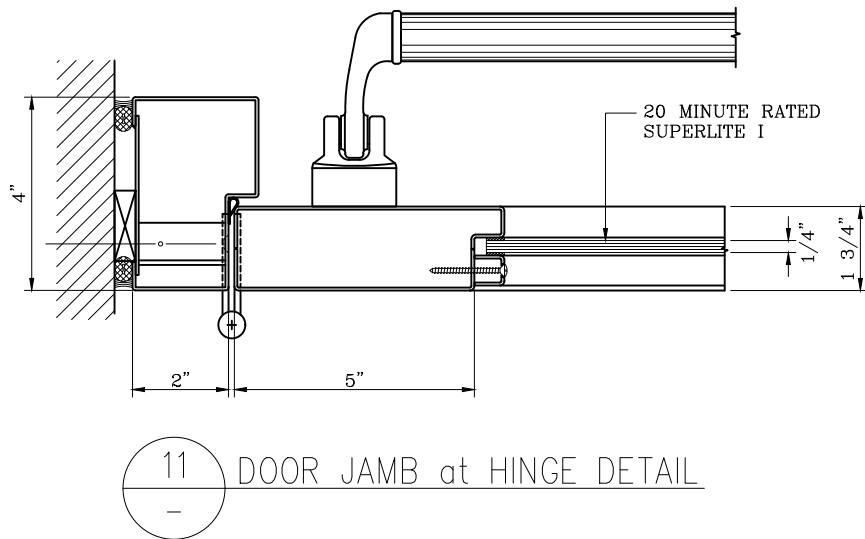
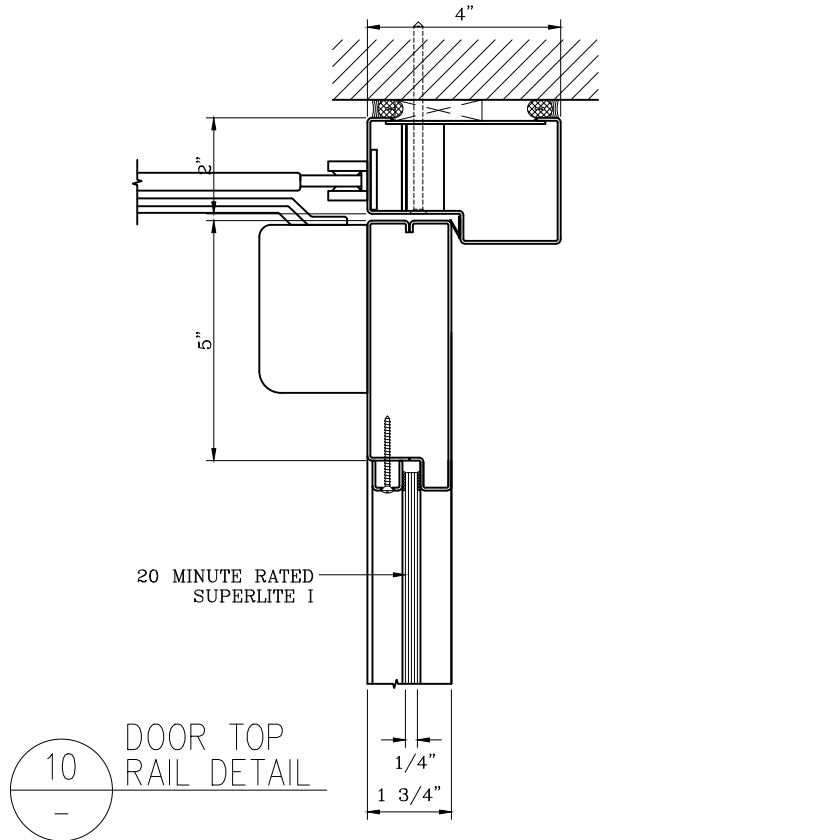
METAL DOORS & FRAMING
1891 Wardrobe Ave Merced CA 95341
Tel: 866.848.2667 Fax: 209.626.3285

DATE:	
DRAWN:	SCALE:

These details are subject to change without notice.

20 MINUTE FIRE PROTECTIVE DOOR PAIR

-INTERIOR APPLICATION-



Titan

METAL DOORS & FRAMING
1891 Wardrobe Ave Merced CA 95341
Tel: 866.848.2667 Fax: 209.626.3285

DATE:

DRAWN:

SCALE:

These details are subject to change without notice.