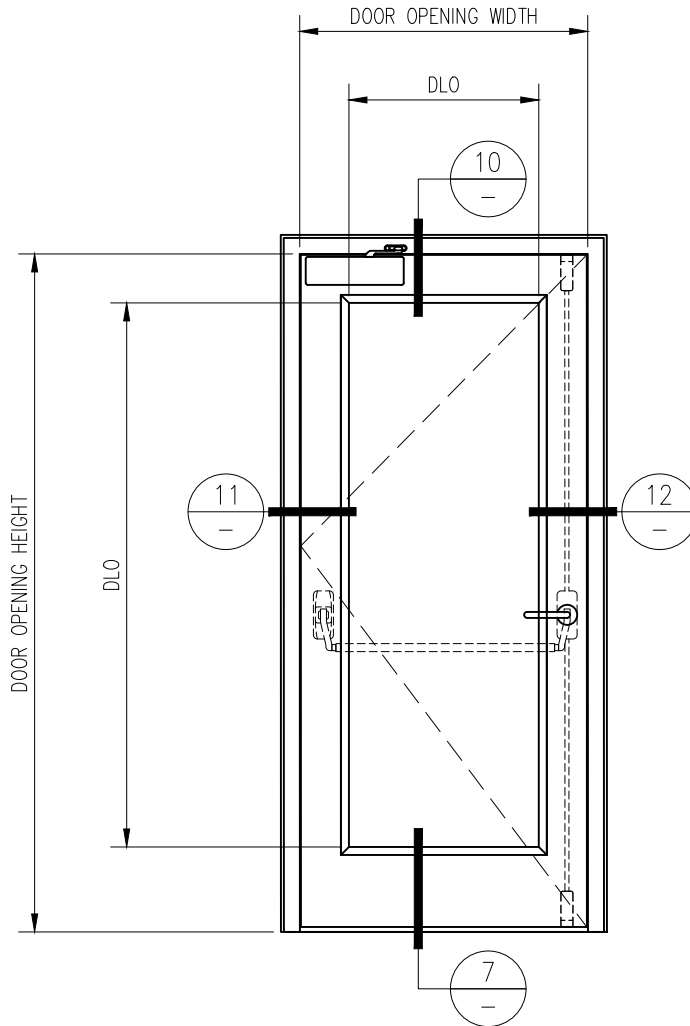


20 MINUTE FIRE PROTECTIVE SINGLE DOOR

-INTERIOR APPLICATION-



Titan

1891 Wardrobe Ave Merced CA 95341
Tel: 866.848.2667 Fax: 209.626.3285

DATE:

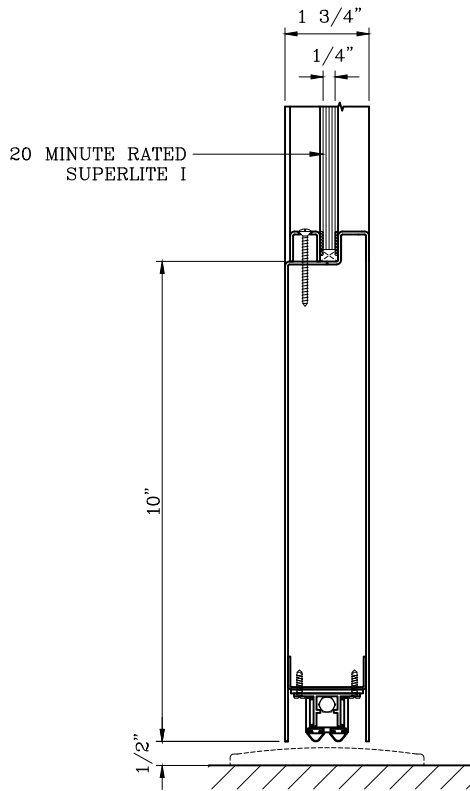
DRAWN:

SCALE:

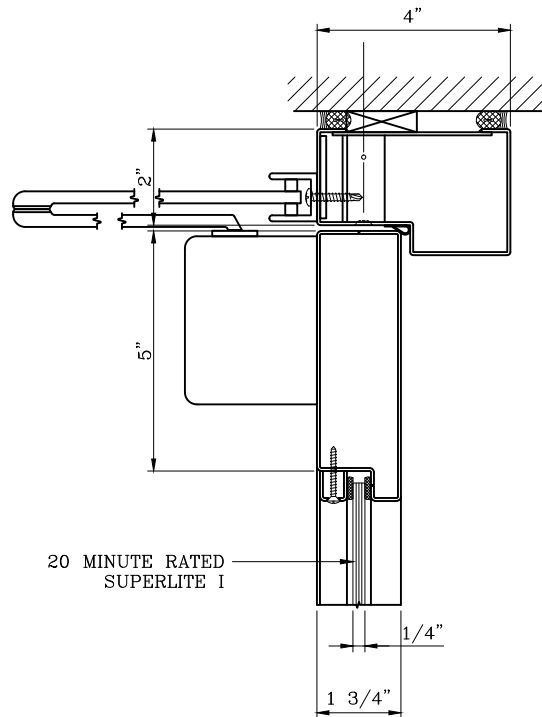
These details are subject to change without notice.

20 MINUTE FIRE PROTECTIVE SINGLE DOOR

-INTERIOR APPLICATION-



7
-
DOOR BOTTOM RAIL DETAIL



10
-
DOOR TOP RAIL DETAIL



Titan

METAL DOORS & FRAMING
1891 Wardrobe Ave Merced CA 95341
Tel: 866.848.2667 Fax: 209.626.3285

DATE:

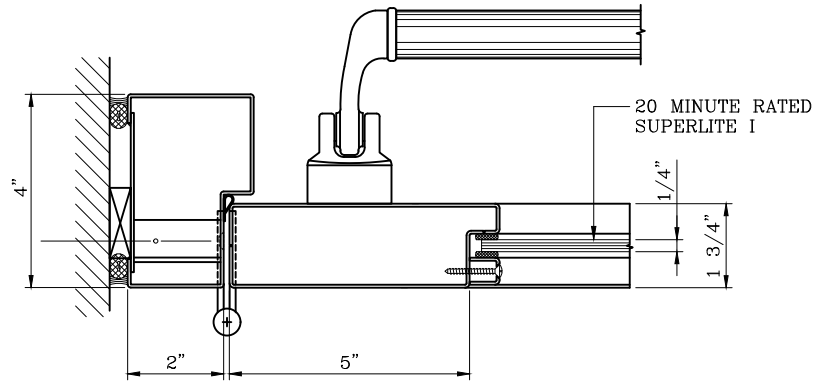
DRAWN:

SCALE:

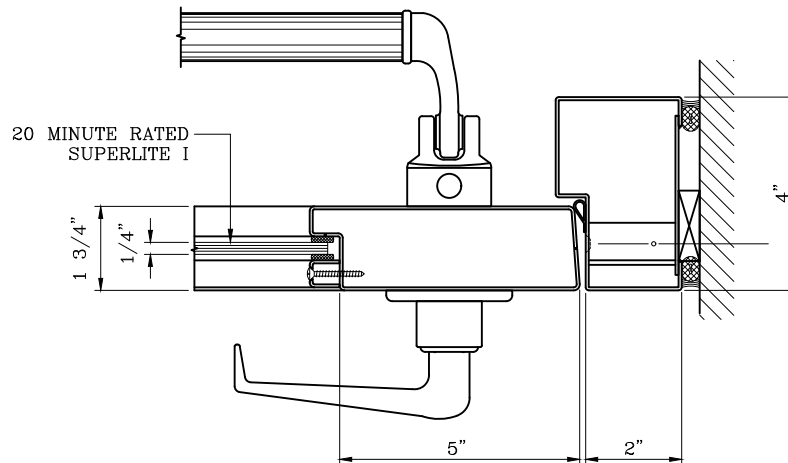
These details are subject to change without notice.

20 MINUTE FIRE PROTECTIVE SINGLE DOOR

-INTERIOR APPLICATION-



11 DOOR JAMB at HINGE DETAIL



12 DOOR JAMB at LOCK DETAIL



Titan

METAL DOORS & FRAMING
 1891 Wardrobe Ave Merced CA 95341
 Tel: 866.848.2667 Fax: 209.626.3285

DATE:

DRAWN:

SCALE:

These details are subject to change without notice.