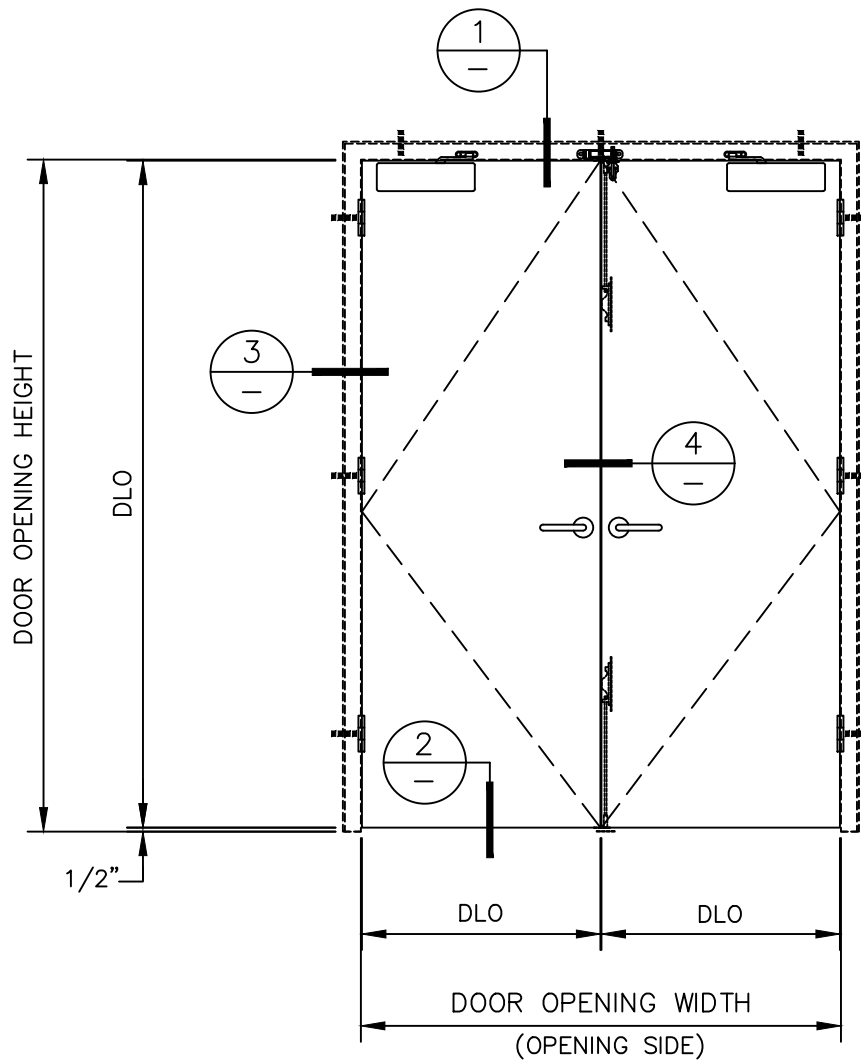


# 3 HOUR SECURITY DOOR & FRAME – PAIR DOOR



1891 Wardrobe Ave Merced CA 95341  
 Tel: 866.848.2667 Fax: 209.626.3285

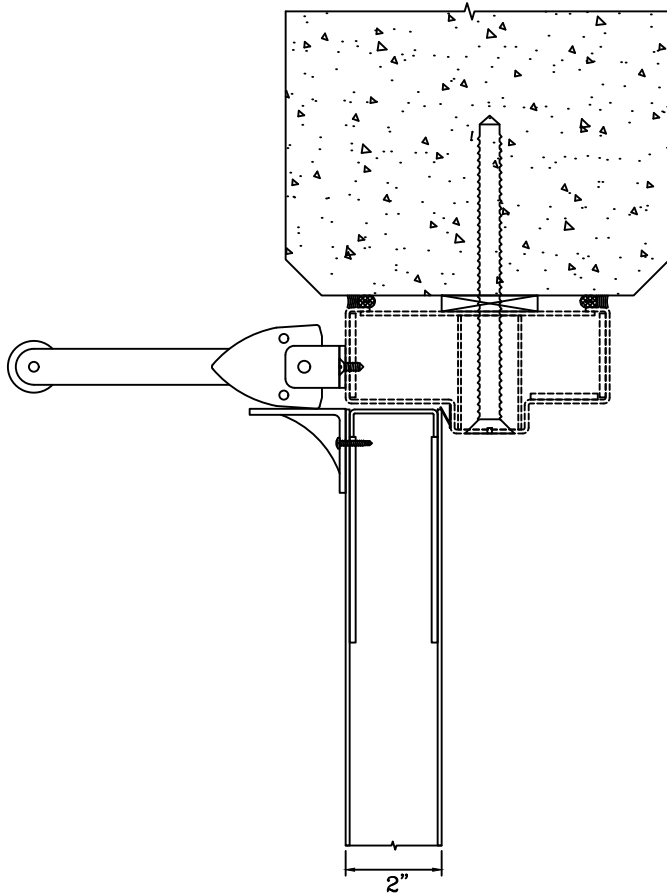
DATE:

DRAWN:

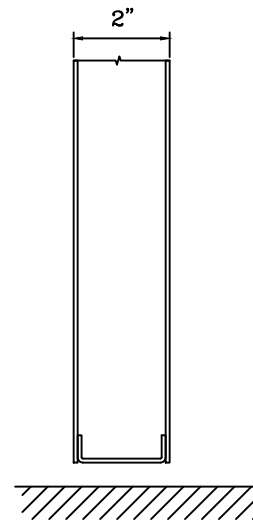
SCALE:

These details are subject to change without notice.

# 3 HOUR SECURITY DOOR & FRAME – PAIR DOOR



① DOOR TOP RAIL DETAIL



② DOOR BOTTOM RAIL DETAIL



# Titan

1891 Wardrobe Ave Merced CA 95341  
Tel: 866.848.2667 Fax: 209.626.3285

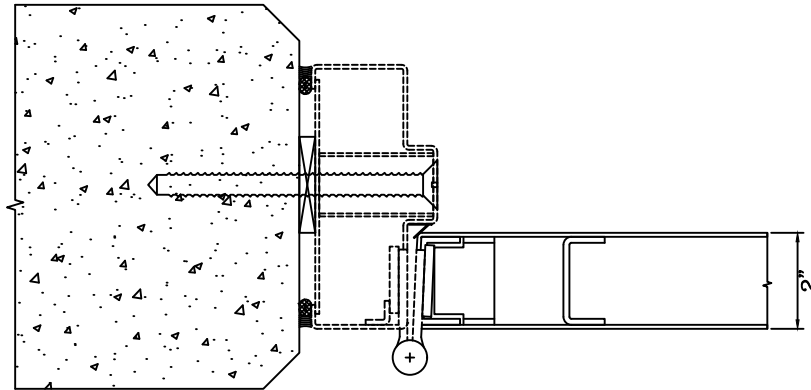
DATE:

DRAWN:

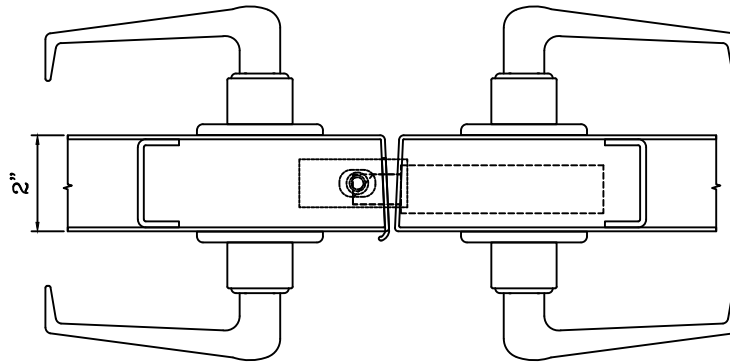
SCALE:

These details are subject to change without notice.

# 3 HOUR SECURITY DOOR & FRAME – PAIR DOOR



3 DOOR JAMB at HINGE DETAIL



4 MEETING STILES at LOCK DETAIL



METAL DOORS & FRAMING

1891 Wardrobe Ave Merced CA 95341  
Tel: 866.848.2667 Fax: 209.626.3285

DATE:

DRAWN:

SCALE:

These details are subject to change without notice.