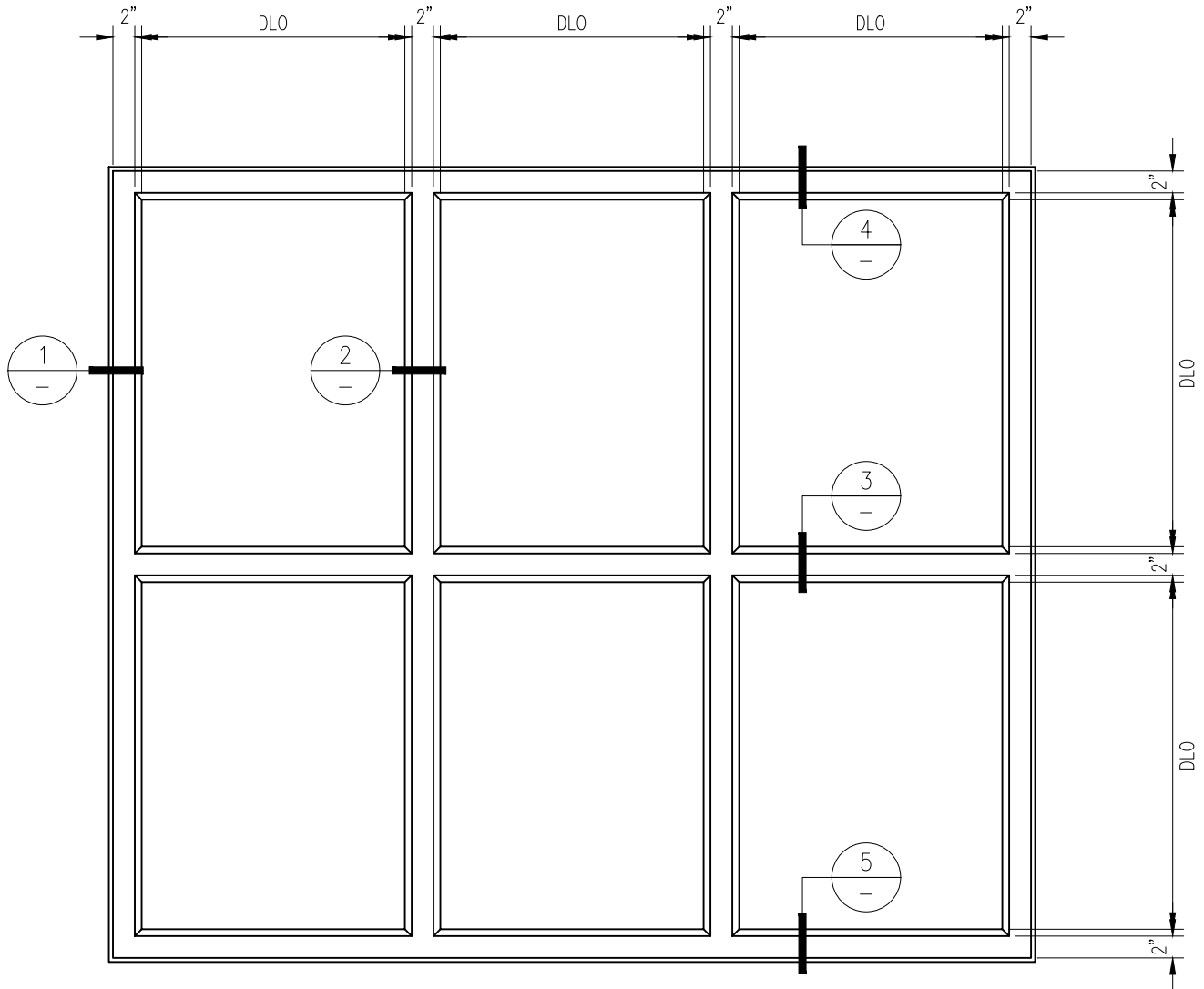


45 MINUTE FIRE PROTECTIVE OPENING
 WITH SUPERCLEAR 45-HS-LI
 -INTERIOR APPLICATION-

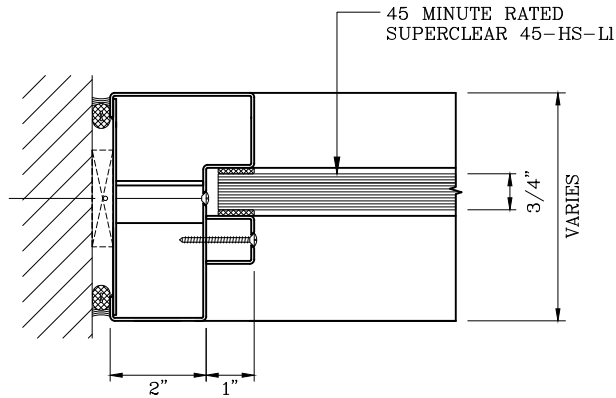


METAL DOORS & FRAMING
 1891 Wardrobe Ave Merced CA 95341
 Tel: 866.848.2667 Fax: 209.626.3285

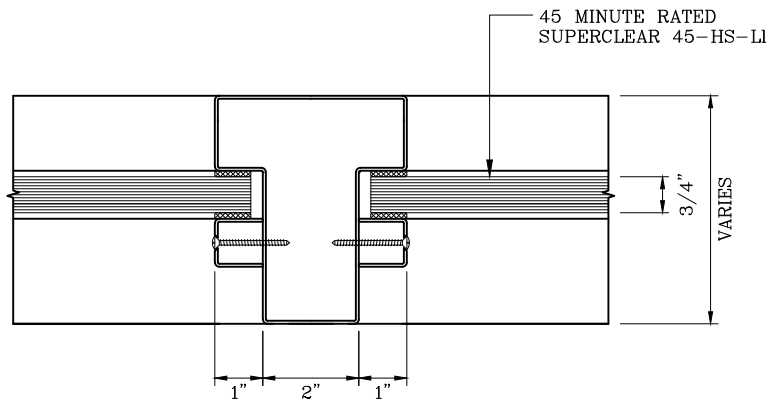
DATE:
 DRAWN: SCALE:

These details are subject to change without notice.

45 MINUTE FIRE PROTECTIVE OPENING
 WITH SUPERCLEAR 45-HS-LI
 -INTERIOR APPLICATION-



1 JAMB DETAIL



2 VERTICAL MULLION DETAIL



1891 Wardrobe Ave Merced CA 95341
 Tel: 866.848.2667 Fax: 209.626.3285

DATE:

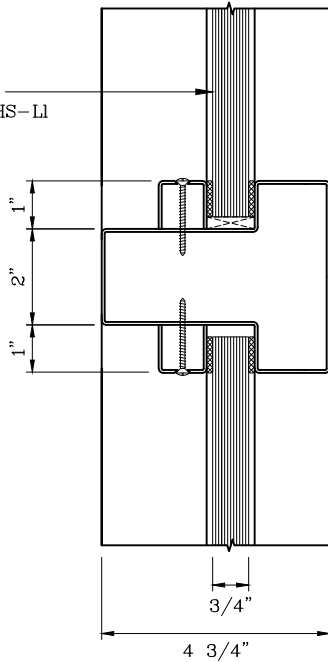
DRAWN:

SCALE:

These details are subject to change without notice.

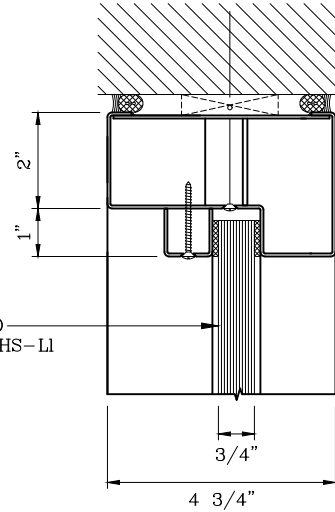
45 MINUTE FIRE PROTECTIVE OPENING
 WITH SUPERCLEAR 45-HS-LI
 -INTERIOR APPLICATION-

45 MINUTE RATED
 SUPERCLEAR 45-HS-LI



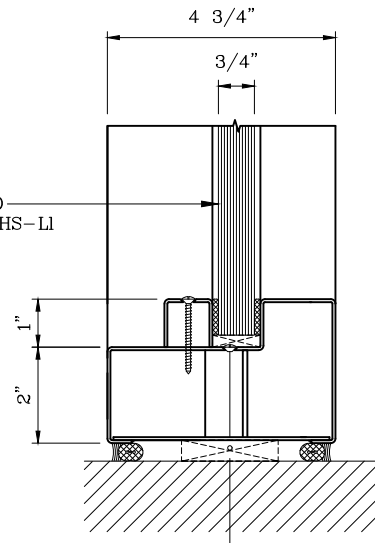
3 HORIZONTAL MULLION DETAIL

45 MINUTE RATED
 SUPERCLEAR 45-HS-LI



4 HEAD DETAIL

45 MINUTE RATED
 SUPERCLEAR 45-HS-LI



5 SILL DETAIL



Titan

METAL DOORS & FRAMING

1891 Wardrobe Ave Merced CA 95341
 Tel: 866.848.2667 Fax: 209.626.3285

DATE:

DRAWN:

SCALE:

These details are subject to change without notice.