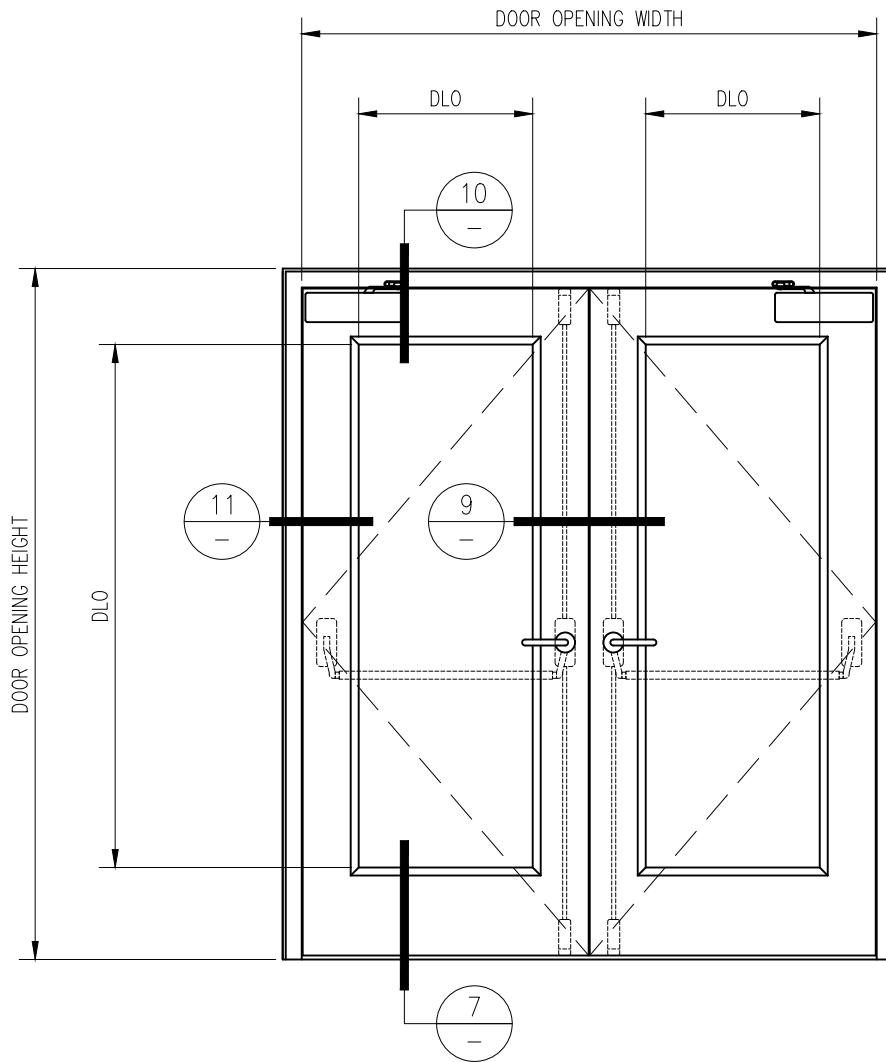


90 MINUTE TEMPERATURE RISE DOOR PAIR

-INTERIOR APPLICATION-



Titan

1891 Wardrobe Ave Merced CA 95341
 Tel: 866.848.2667 Fax: 209.626.3285

DATE:

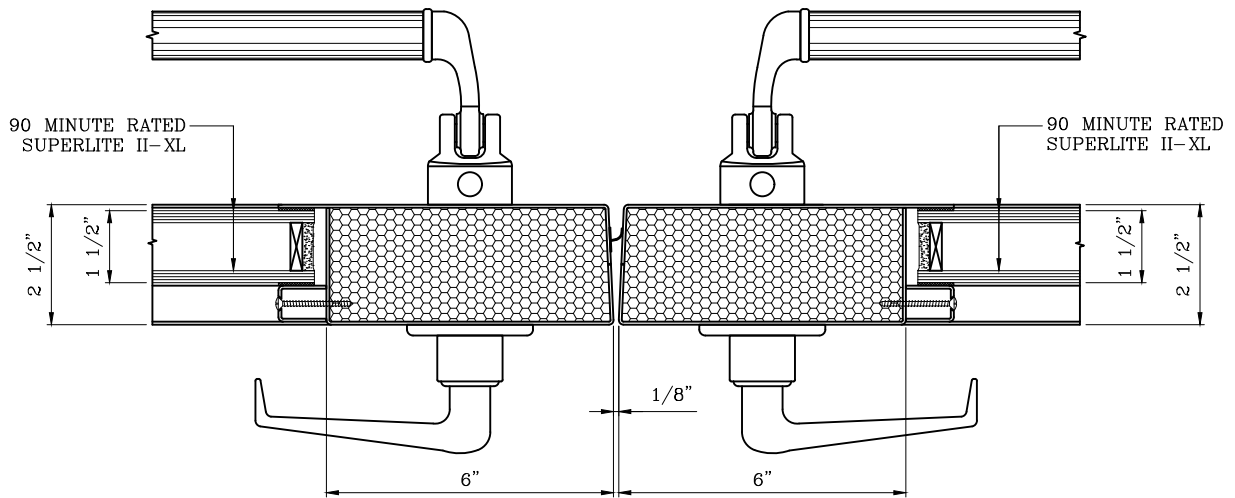
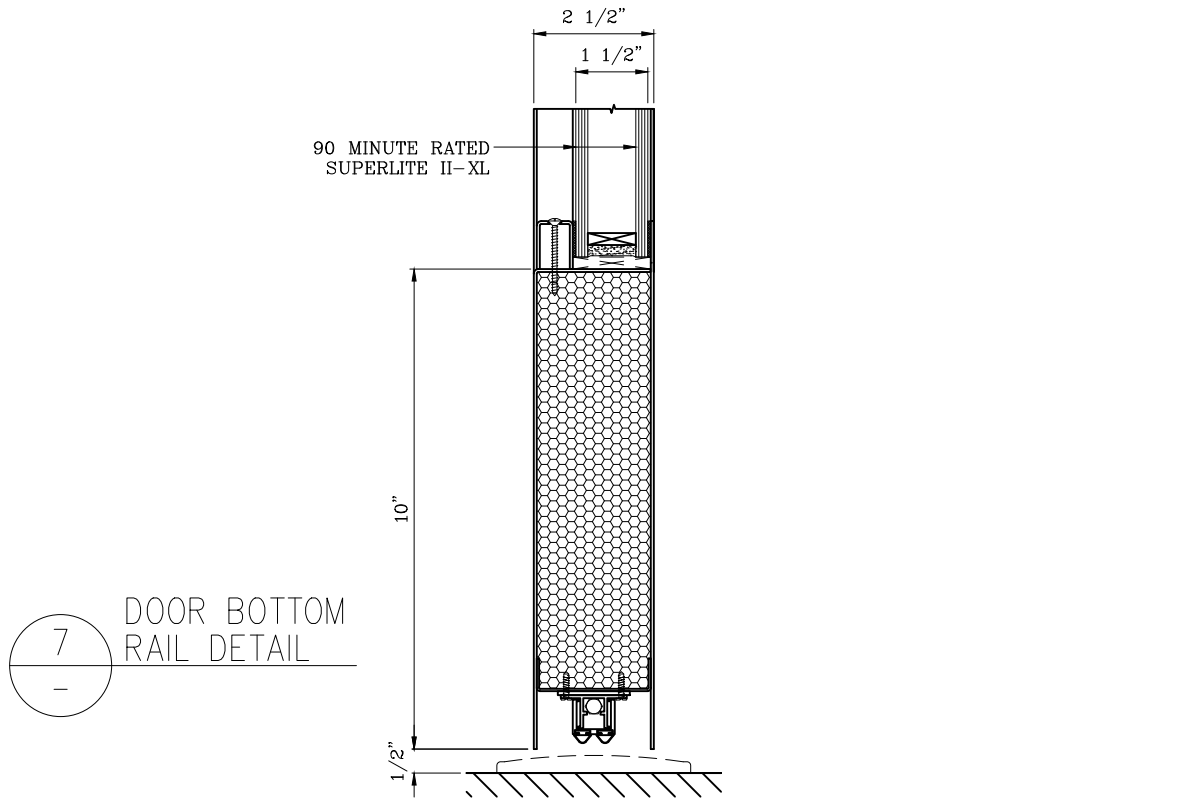
DRAWN:

SCALE:

These details are subject to change without notice.

90 MINUTE TEMPERATURE RISE DOOR PAIR

-INTERIOR APPLICATION-



Titan

METAL DOORS & FRAMING

1891 Wardrobe Ave Merced CA 95341
Tel: 866.848.2667 Fax: 209.626.3285

DATE:

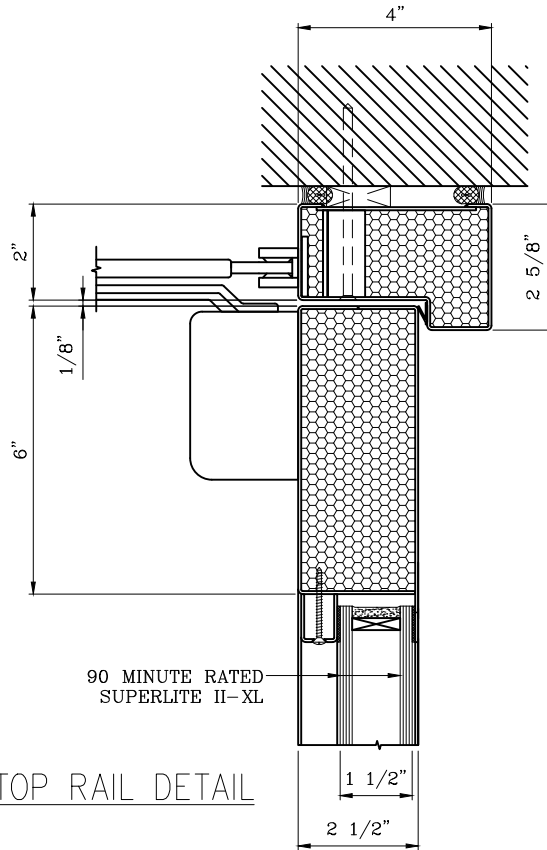
DRAWN:

SCALE:

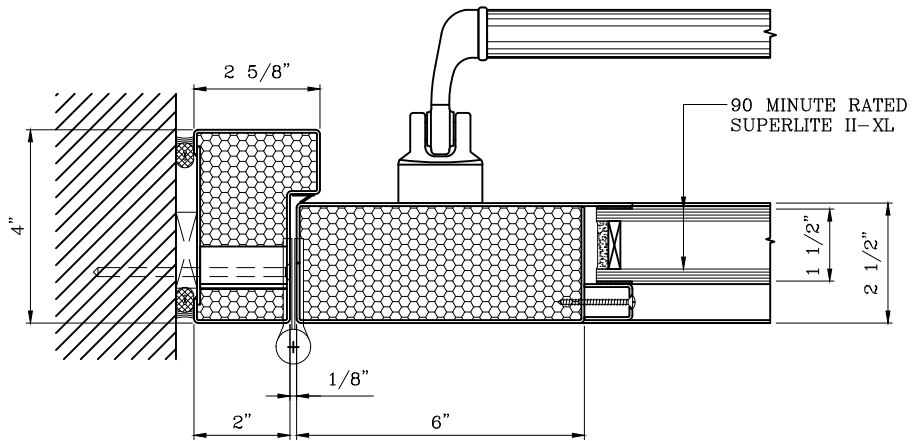
These details are subject to change without notice.

90 MINUTE TEMPERATURE RISE DOOR PAIR

-INTERIOR APPLICATION-



10 DOOR TOP RAIL DETAIL



11 DOOR JAMB at HINGE DETAIL

Titan
USA

METAL DOORS & FRAMING

1891 Wardrobe Ave Merced CA 95341
Tel: 866.848.2667 Fax: 209.626.3285

DATE:

DRAWN:

SCALE:

These details are subject to change without notice.