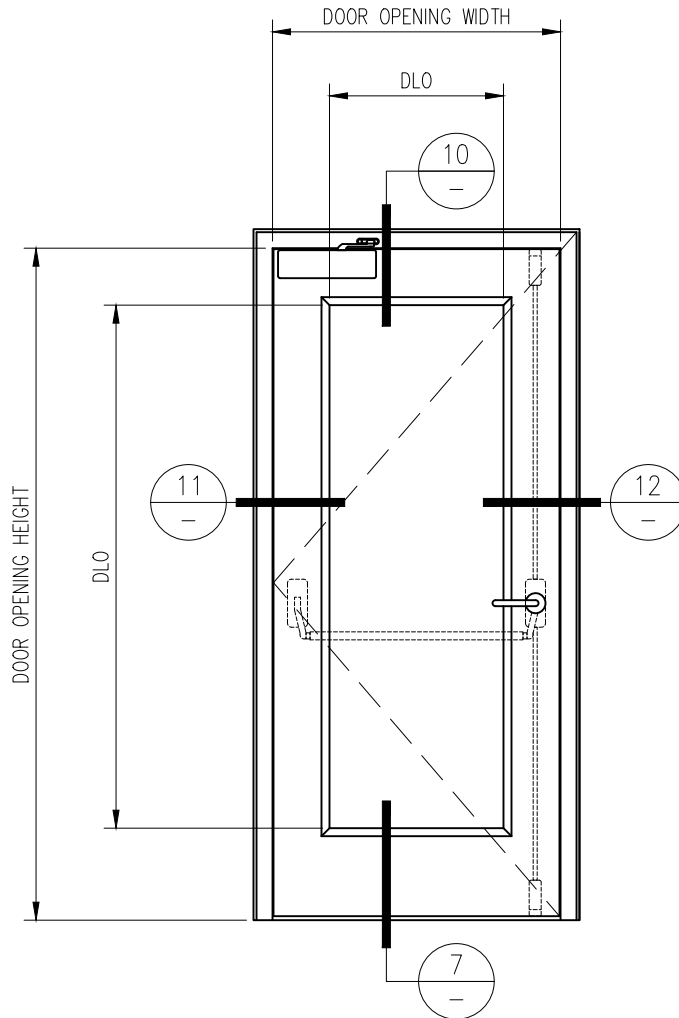


# 90 MINUTE TEMPERATURE RISE SINGLE DOOR

## -INTERIOR APPLICATION-



# Titan

1891 Wardrobe Ave Merced CA 95341  
Tel: 866.848.2667 Fax: 209.626.3285

DATE:

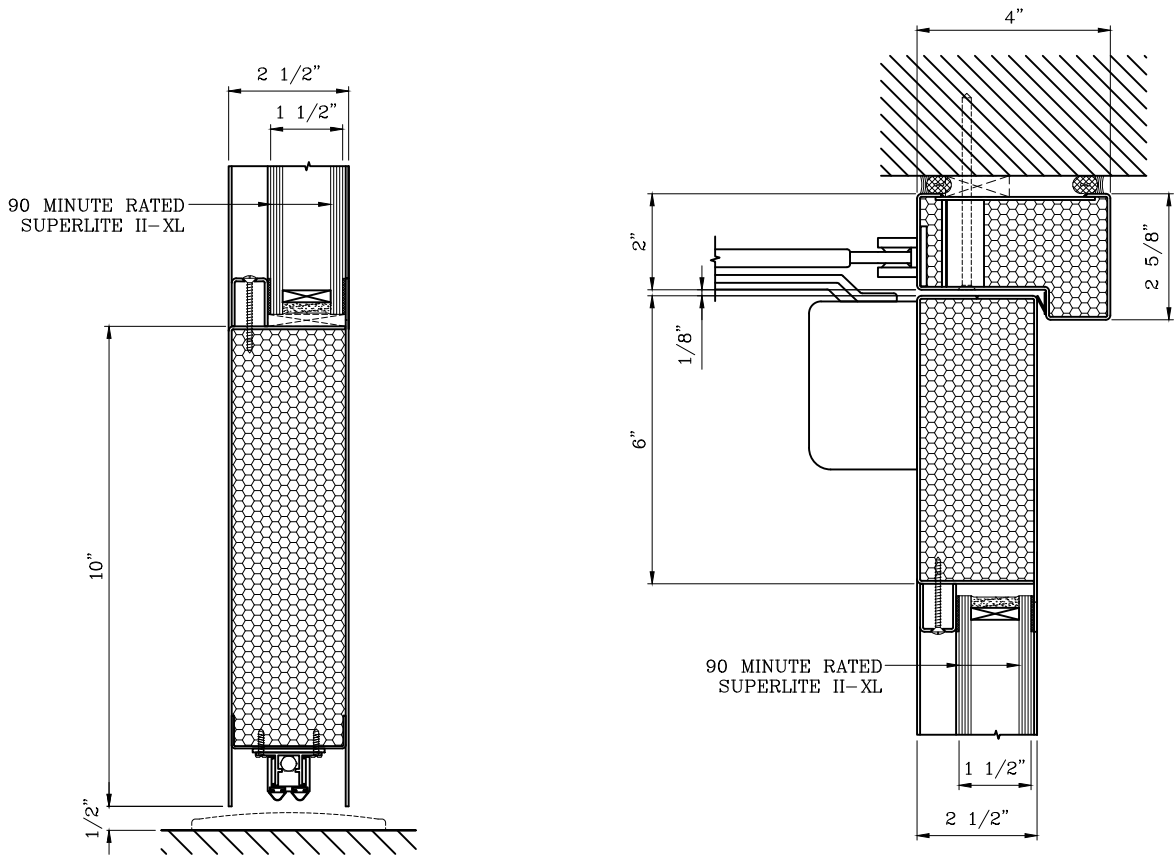
DRAWN:

SCALE:

These details are subject to change without notice.

# 90 MINUTE TEMPERATURE RISE SINGLE DOOR

## -INTERIOR APPLICATION-



(7) DOOR BOTTOM RAIL DETAIL

(10) DOOR TOP RAIL DETAIL



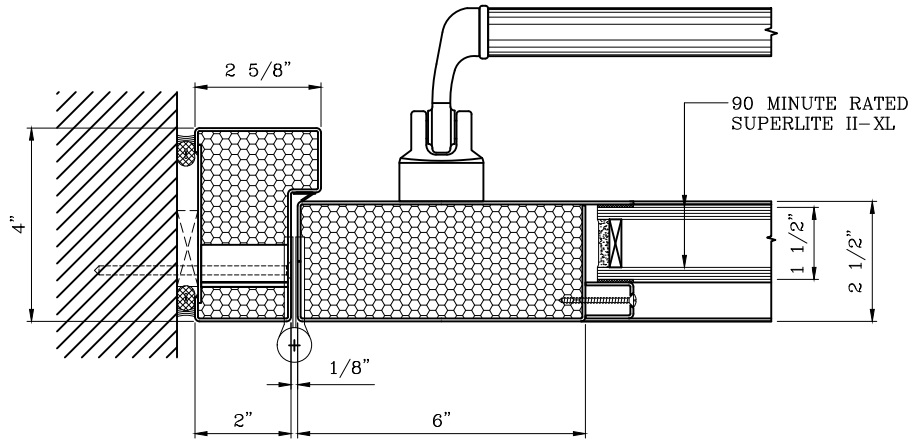
1891 Wardrobe Ave Merced CA 95341  
 Tel: 866.848.2667 Fax: 209.626.3285

DATE:	
DRAWN:	SCALE:

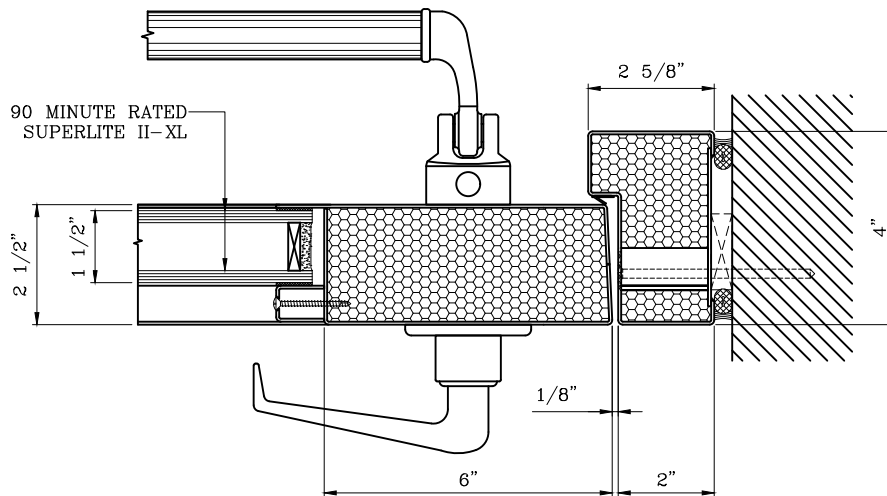
These details are subject to change without notice.

# 90 MINUTE TEMPERATURE RISE SINGLE DOOR

- INTERIOR APPLICATION -



11 DOOR JAMB at HINGE DETAIL



12 DOOR JAMB at LOCK DETAIL



# Titan

METAL DOORS & FRAMING

1891 Wardrobe Ave Merced CA 95341  
Tel: 866.848.2667 Fax: 209.626.3285

DATE:

DRAWN:

SCALE:

These details are subject to change without notice.