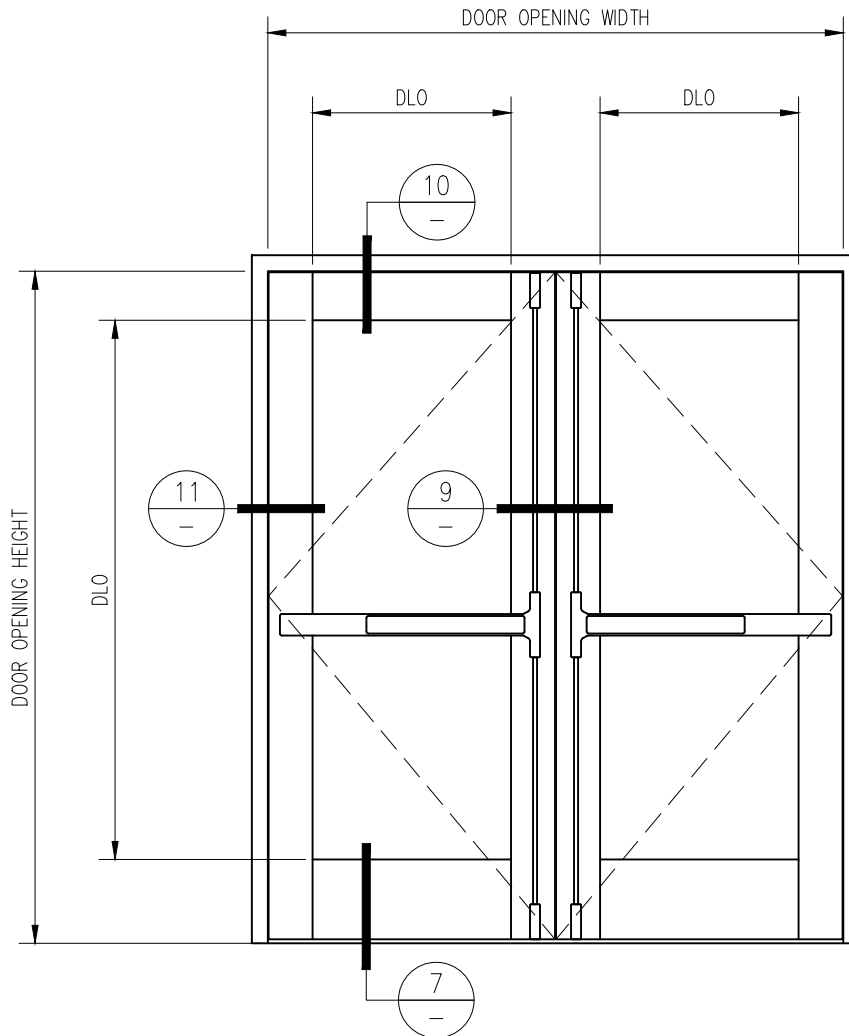


20 MINUTE FIRE PROTECTIVE ALUMINUM DOOR PAIR -INTERIOR APPLICATION-

For more details, please visit www.titanmetalinc.com



Titan

1891 Wardrobe Ave Merced CA 95341
Tel: 866.848.2667 Fax: 209.626.3285

DATE:

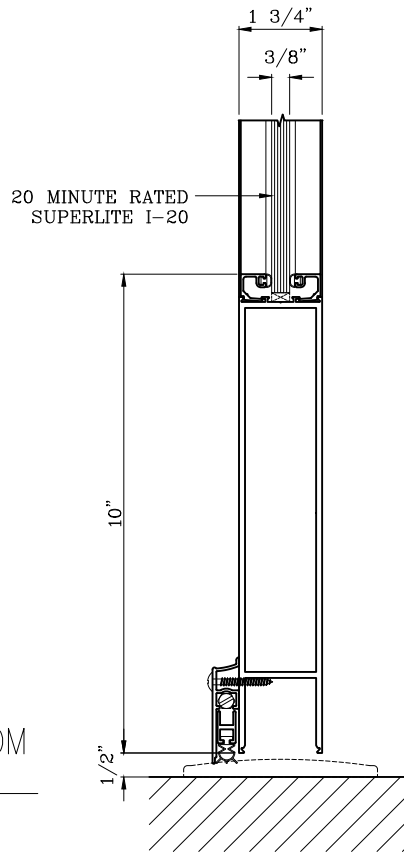
DRAWN:

SCALE:

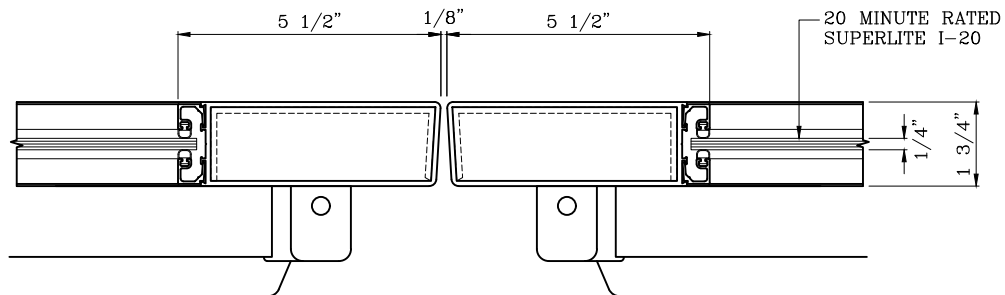
These details are subject to change without notice.

20 MINUTE FIRE PROTECTIVE ALUMINUM DOOR PAIR -INTERIOR APPLICATION-

For more details, please visit www.titanmetalinc.com



7
-
DOOR BOTTOM RAIL DETAIL



9
-
DOOR MEETING STILES DETAIL



Titan

1891 Wardrobe Ave Merced CA 95341
Tel: 866.848.2667 Fax: 209.626.3285

DATE:

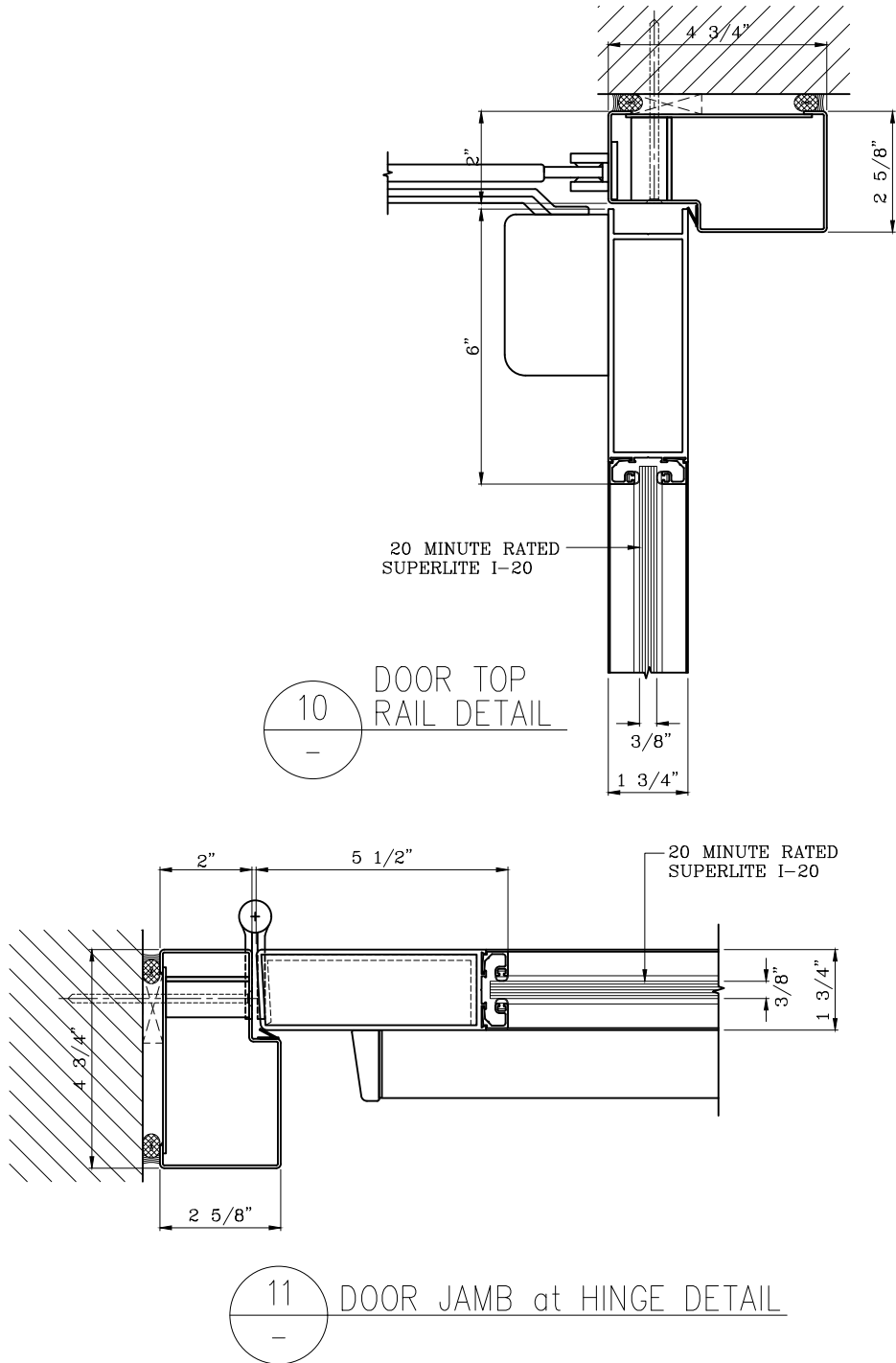
DRAWN:

SCALE:

These details are subject to change without notice.

20 MINUTE FIRE PROTECTIVE ALUMINUM DOOR PAIR -INTERIOR APPLICATION-

For more details, please visit www.titanmetalinc.com



1891 Wardrobe Ave Merced CA 95341
Tel: 866.848.2667 Fax: 209.626.3285

DATE:

DRAWN:

SCALE:

These details are subject to change without notice.