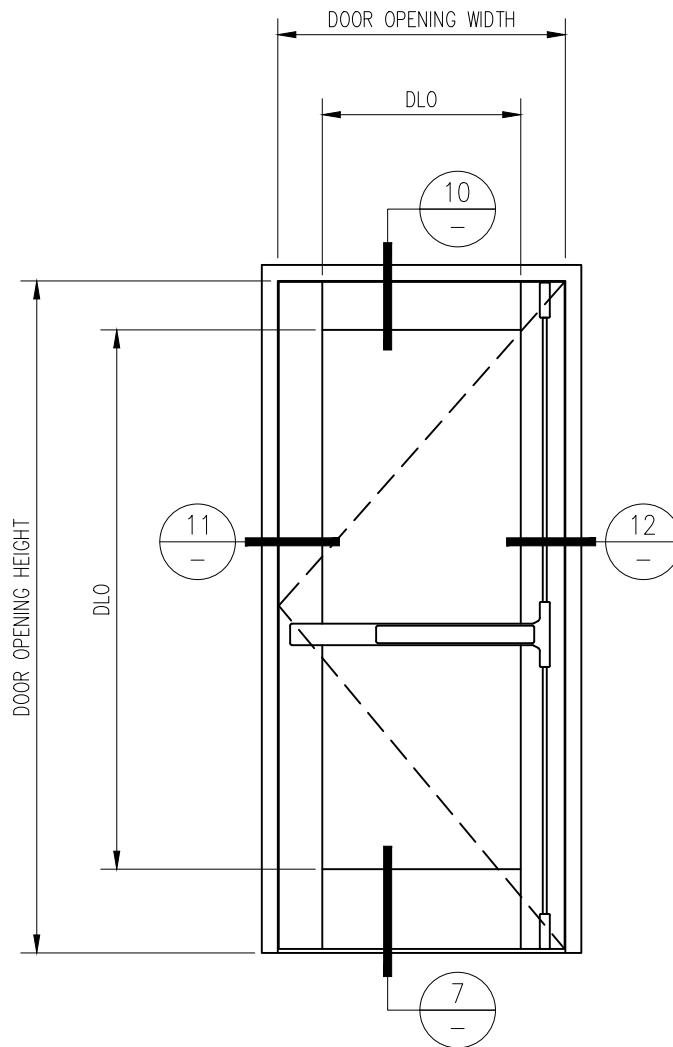


20 MINUTE FIRE PROTECTIVE ALUMINUM SINGLE DOOR -INTERIOR APPLICATION-

For more details, please visit www.titanmetalinc.com



Titan

1891 Wardrobe Ave Merced CA 95341
Tel: 866.848.2667 Fax: 209.626.3285

DATE:

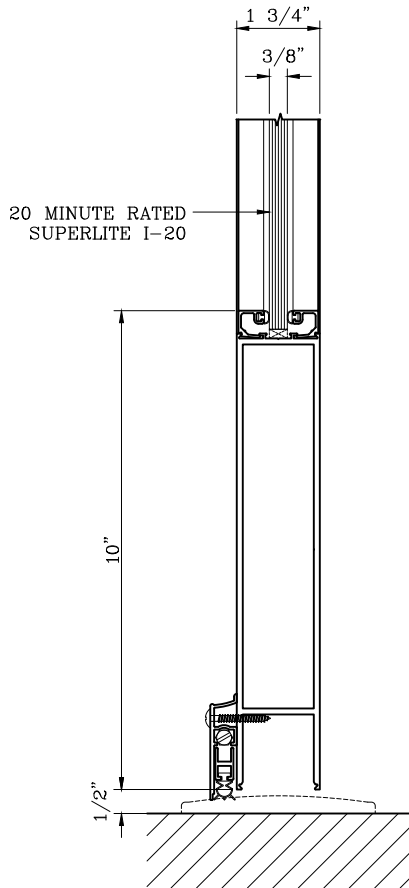
DRAWN:

SCALE:

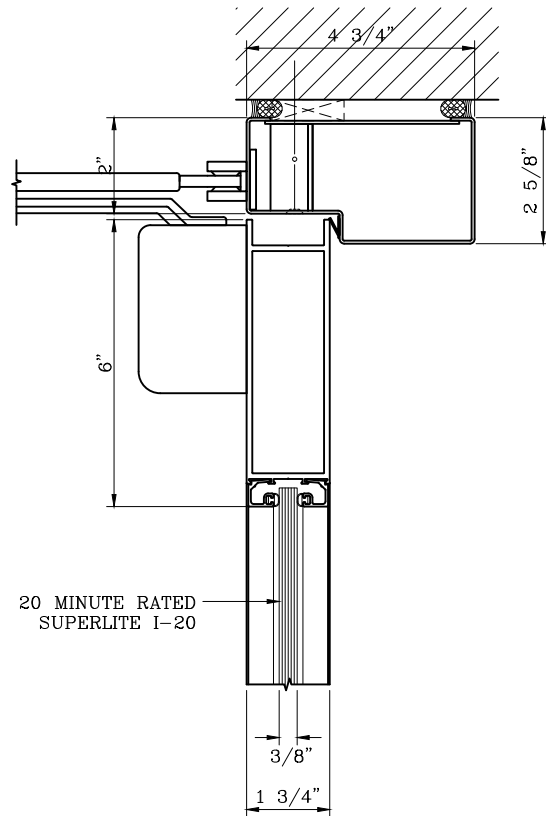
These details are subject to change without notice.

20 MINUTE FIRE PROTECTIVE ALUMINUM SINGLE DOOR -INTERIOR APPLICATION-

For more details, please visit www.titanmetalinc.com



7 DOOR BOTTOM RAIL DETAIL



10 DOOR TOP RAIL DETAIL



METAL DOORS & FRAMING

1891 Wardrobe Ave Merced CA 95341

Tel: 866.848.2667 Fax: 209.626.3285

DATE:

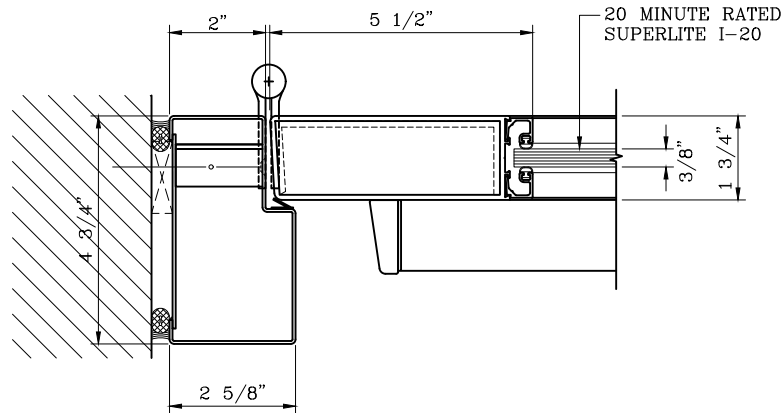
DRAWN:

SCALE:

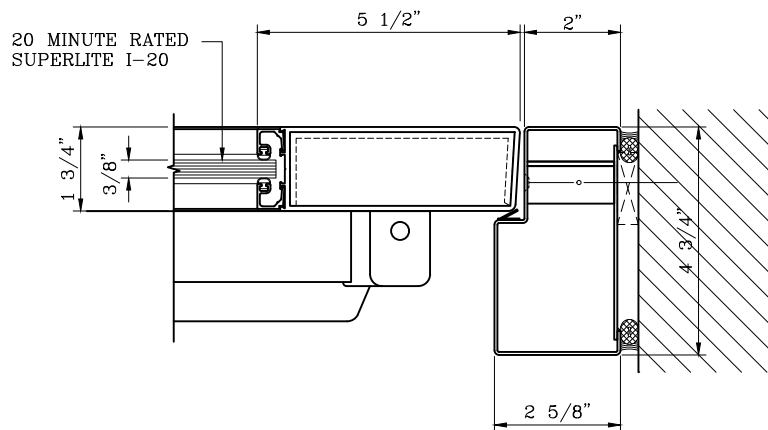
These details are subject to change without notice.

20 MINUTE FIRE PROTECTIVE ALUMINUM SINGLE DOOR -INTERIOR APPLICATION-

For more details, please visit www.titanmetalinc.com



11 DOOR JAMB at HINGE DETAIL



12 DOOR JAMB at LOCK DETAIL



METAL DOORS & FRAMING

Titan

1891 Wardrobe Ave Merced CA 95341
Tel: 866.848.2667 Fax: 209.626.3285

DATE:

DRAWN:

SCALE:

These details are subject to change without notice.