

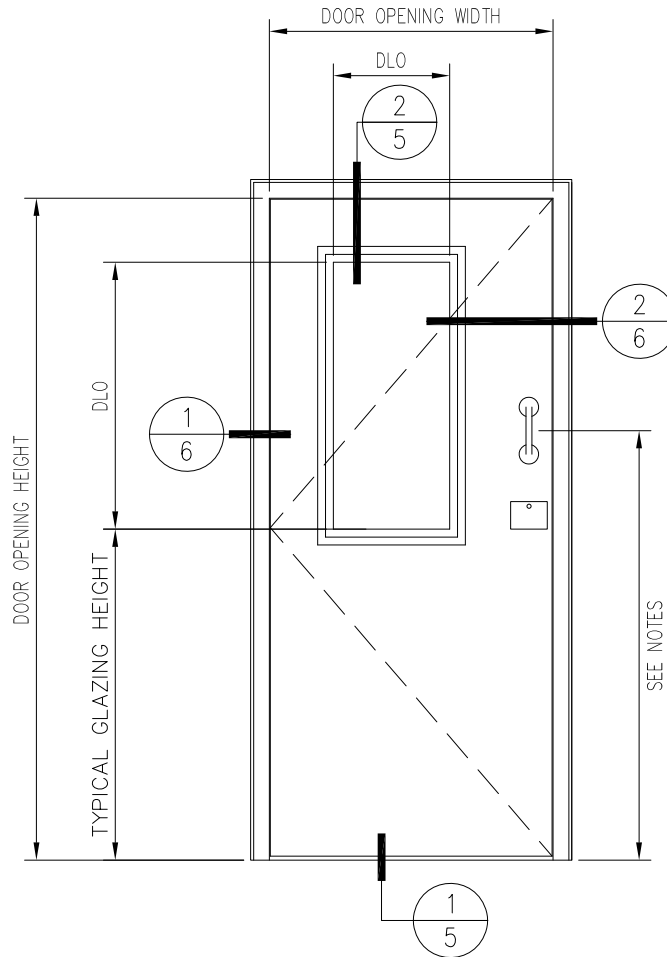
GLAZED DETENTION AND FIRE-RATED DOOR

— INTERIOR APPLICATION — SWINGING —

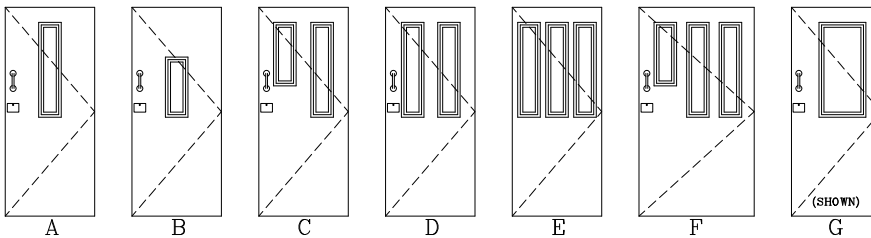
For more details, please visit www.titanmetalinc.com

SECURITY PULL HANDLE NOTES:

1. 34" MIN. A.F.F TO 44" MAX. A.F.F. TO CENTER OF PULL HANDLE AT ADA ACCESSIBLE DOORS.
2. INSTALL HANDLE 54" A.F.F TO CENTER OF PULL HANDLE AT CUSTODY ONLY OPERATED DOORS.



GLAZING OPTIONS AVAILABLE:



1891 Wardrobe Ave Merced CA 95341
Tel: 866.848.2667 Fax: 209.626.3285

DETENTION AND FIRE-RATED DOORS
ASTM F1450

SINGLE DOOR — GLAZED

DATE:

DRAWN:

SCALE:

These details are subject to change without notice.

SHEET 1 OF 9

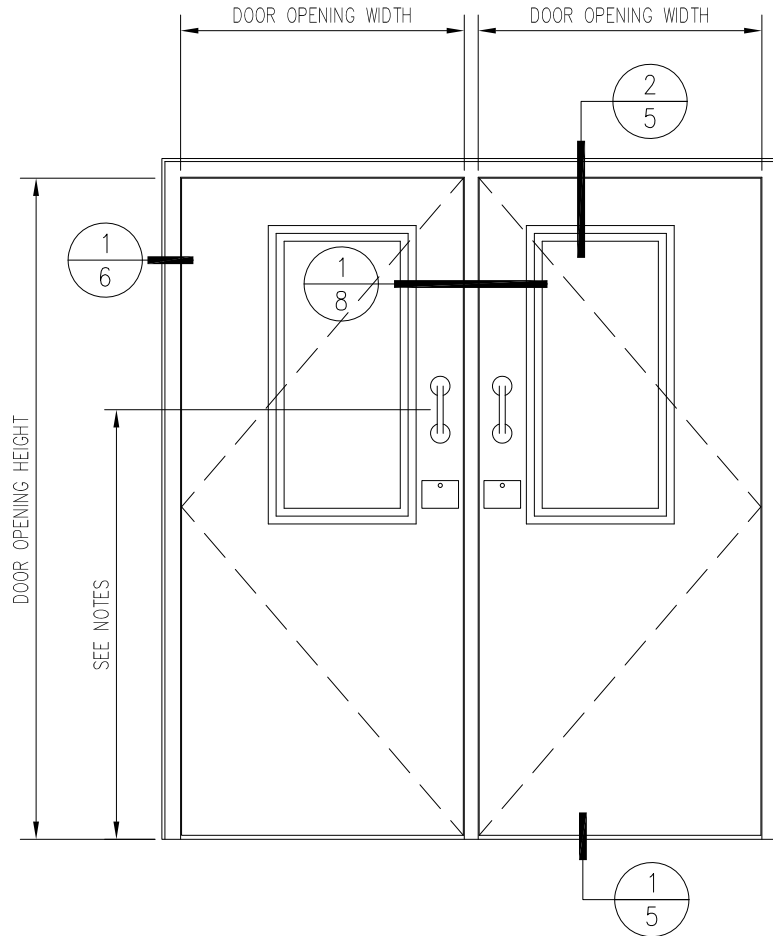
GLAZED DETENTION AND FIRE-RATED DOOR – PAIR

– INTERIOR APPLICATION – SWINGING –

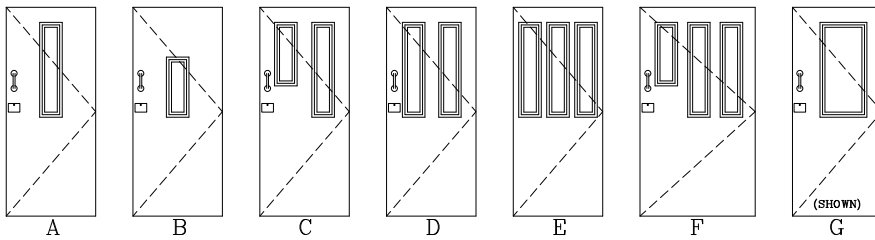
For more details, please visit www.titanmetalinc.com

SECURITY PULL HANDLE NOTES:

1. 34" MIN. A.F.F TO 44" MAX. A.F.F.
TO CENTER OF PULL HANDLE AT ADA ACCESSIBLE DOORS.
2. INSTALL HANDLE 54" A.F.F TO CENTER OF PULL
HANDLE AT CUSTODY ONLY OPERATED DOORS.



GLAZING OPTIONS AVAILABLE:



1891 Wardrobe Ave Merced CA 95341
Tel: 866.848.2667 Fax: 209.626.3285

DETENTION AND FIRE-RATED DOORS
ASTM F1450

DOOR PAIR – GLAZED

DATE:

DRAWN:

SCALE:

These details are subject to change without notice.

SHEET 2 OF 9

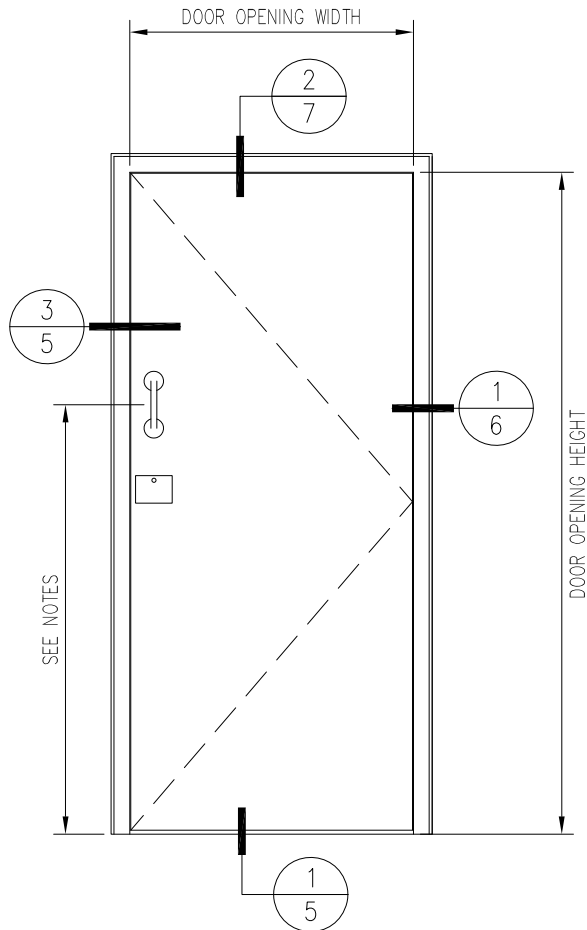
SOLID DETENTION AND FIRE-RATED DOOR – SINGLE

– INTERIOR APPLICATION – SWINGING –

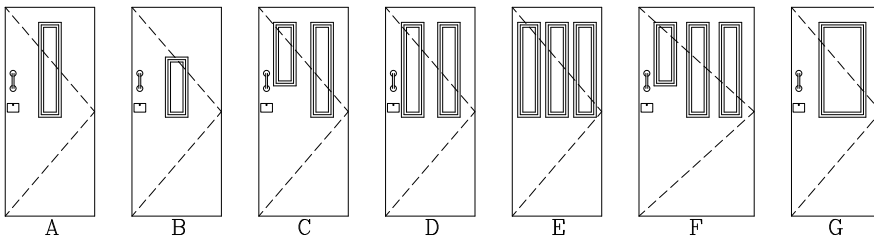
For more details, please visit www.titanmetalinc.com

SECURITY PULL HANDLE NOTES:

1. 34" MIN. A.F.F TO 44" MAX. A.F.F. TO CENTER OF PULL HANDLE AT ADA ACCESSIBLE DOORS.
2. INSTALL HANDLE 54" A.F.F TO CENTER OF PULL HANDLE AT CUSTODY ONLY OPERATED DOORS.



GLAZING OPTIONS AVAILABLE:



1891 Wardrobe Ave Merced CA 95341
Tel: 866.848.2667 Fax: 209.626.3285

DETENTION AND FIRE-RATED DOORS
ASTM F1450

SINGLE DOOR – SOLID

DATE:

DRAWN:

SCALE:

These details are subject to change without notice.

SHEET 3 OF 9

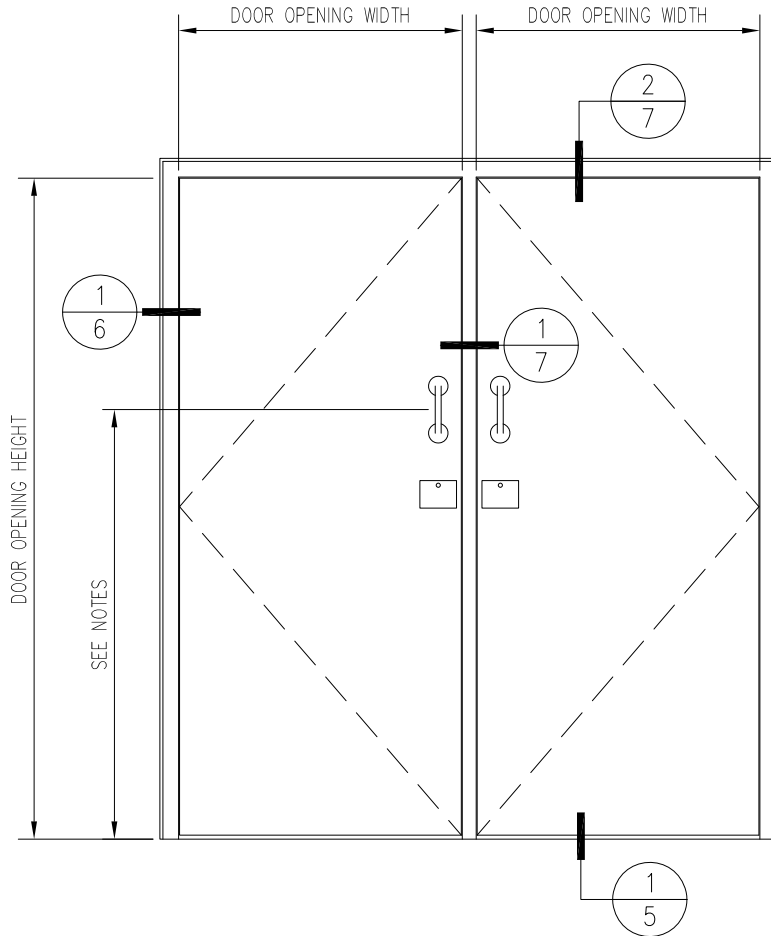
SOLID DETENTION AND FIRE-RATED DOOR – PAIR

– INTERIOR APPLICATION – SWINGING –

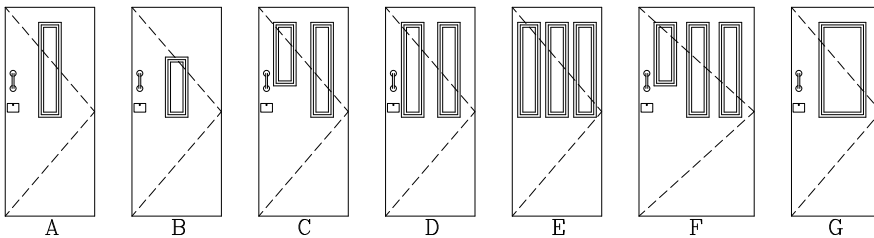
For more details, please visit www.titanmetalinc.com

SECURITY PULL HANDLE NOTES:

1. 34" MIN. A.F.F TO 44" MAX. A.F.F. TO CENTER OF PULL HANDLE AT ADA ACCESSIBLE DOORS.
2. INSTALL HANDLE 54" A.F.F TO CENTER OF PULL HANDLE AT CUSTODY ONLY OPERATED DOORS.



GLAZING OPTIONS AVAILABLE:



1891 Wardrobe Ave Merced CA 95341
Tel: 866.848.2667 Fax: 209.626.3285

DETENTION AND FIRE-RATED DOORS
ASTM F1450

DOOR PAIR – SOLID

DATE:

DRAWN:

SCALE:

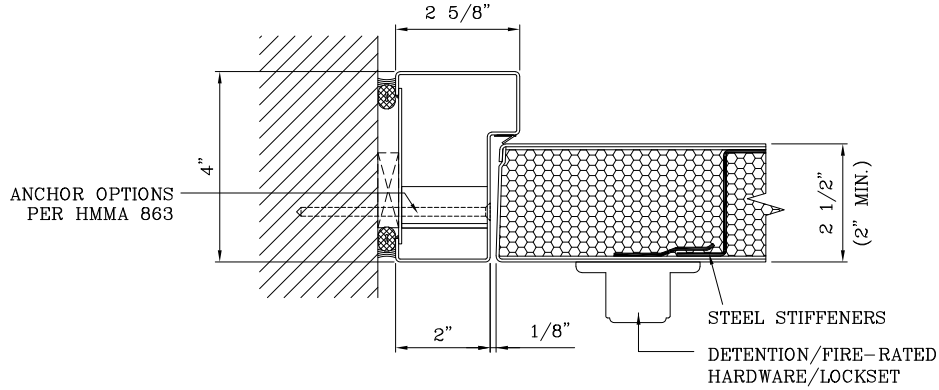
These details are subject to change without notice.

SHEET 4 OF 9

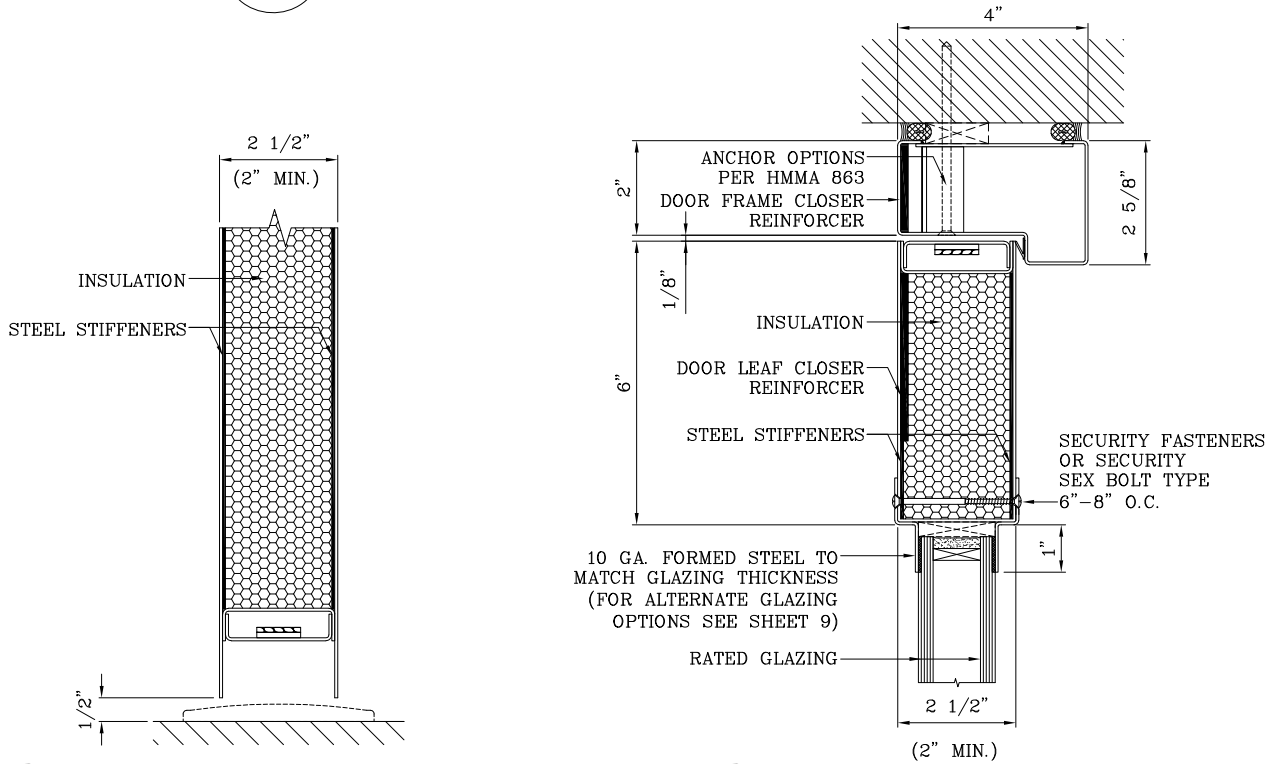
DETENTION AND FIRE-RATED DOOR

- INTERIOR APPLICATION - SWINGING -

For more details, please visit www.titanmetalinc.com



3 DOOR JAMB at LOCK DETAIL
5



2 DOOR TOP RAIL DETAIL
5

1 DOOR BOTTOM RAIL DETAIL
5



1891 Wardrobe Ave Merced CA 95341
Tel: 866.848.2667 Fax: 209.626.3285

DETENTION AND FIRE-RATED DOORS
ASTM F1450

DETAIL SHEET 5

DATE:

DRAWN:

SCALE:

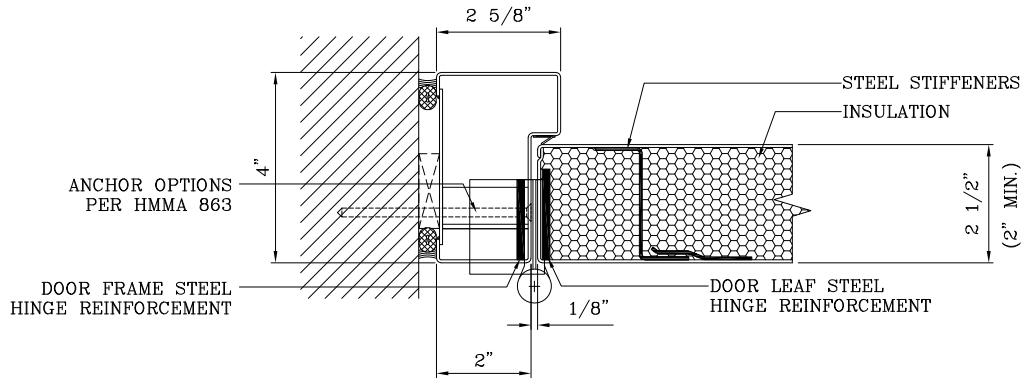
These details are subject to change without notice.

SHEET 5 OF 9

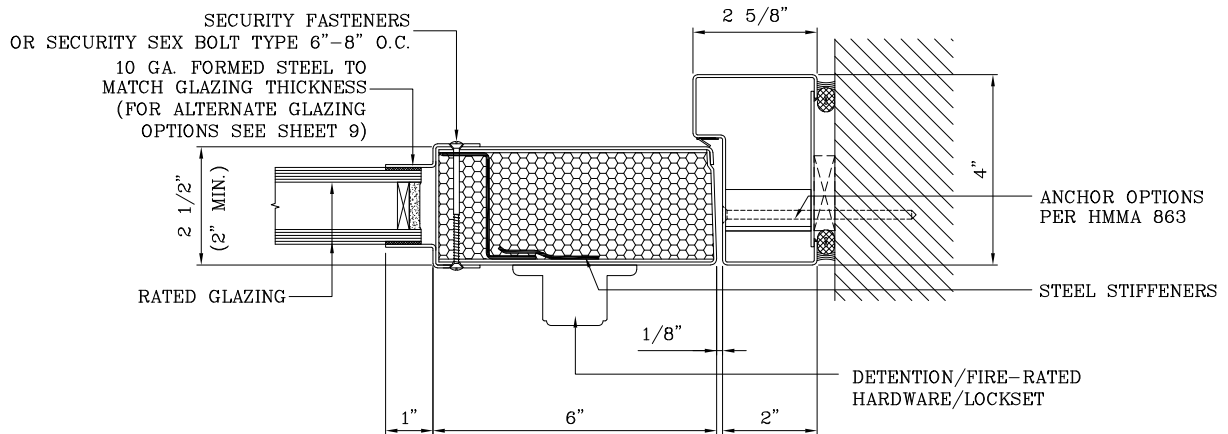
DETENTION AND FIRE-RATED DOOR

- INTERIOR APPLICATION - SWINGING -

For more details, please visit www.titanmetalinc.com



1
6 DOOR JAMB at HINGE DETAIL (TYPICAL)



2
6 DOOR JAMB at LOCK DETAIL



1891 Wardrobe Ave Merced CA 95341
Tel: 866.848.2667 Fax: 209.626.3285

DETENTION AND FIRE-RATED DOORS
ASTM F1450

DETAIL SHEET 6

DATE:

DRAWN:

SCALE:

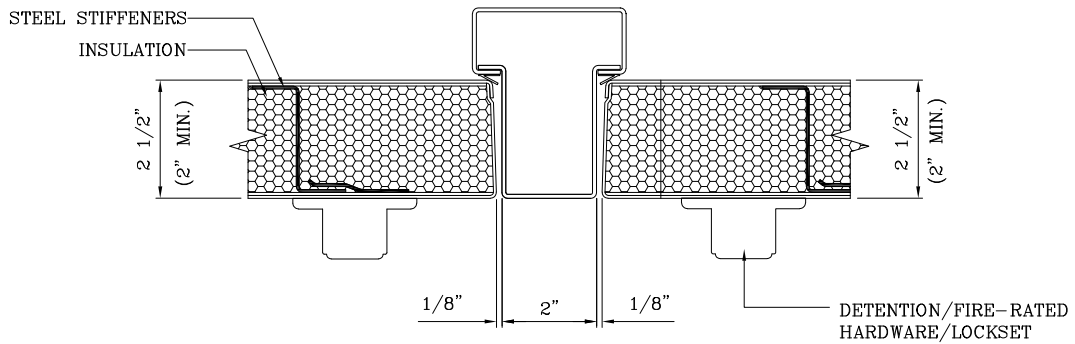
These details are subject to change without notice.

SHEET 6 OF 9

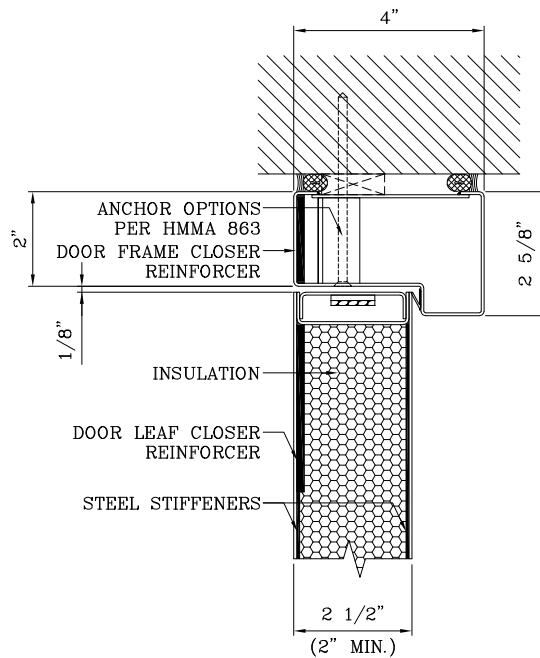
DETENTION AND FIRE-RATED DOOR

- INTERIOR APPLICATION - SWINGING -

For more details, please visit www.titanmetalinc.com



1
7 DOOR MEETING STILES DETAIL



2
7 DOOR TOP RAIL DETAIL



1891 Wardrobe Ave Merced CA 95341
Tel: 866.848.2667 Fax: 209.626.3285

DETENTION AND FIRE-RATED DOORS
ASTM F1450

These details are subject to change without notice.

DETAIL SHEET 7

DATE:

DRAWN:

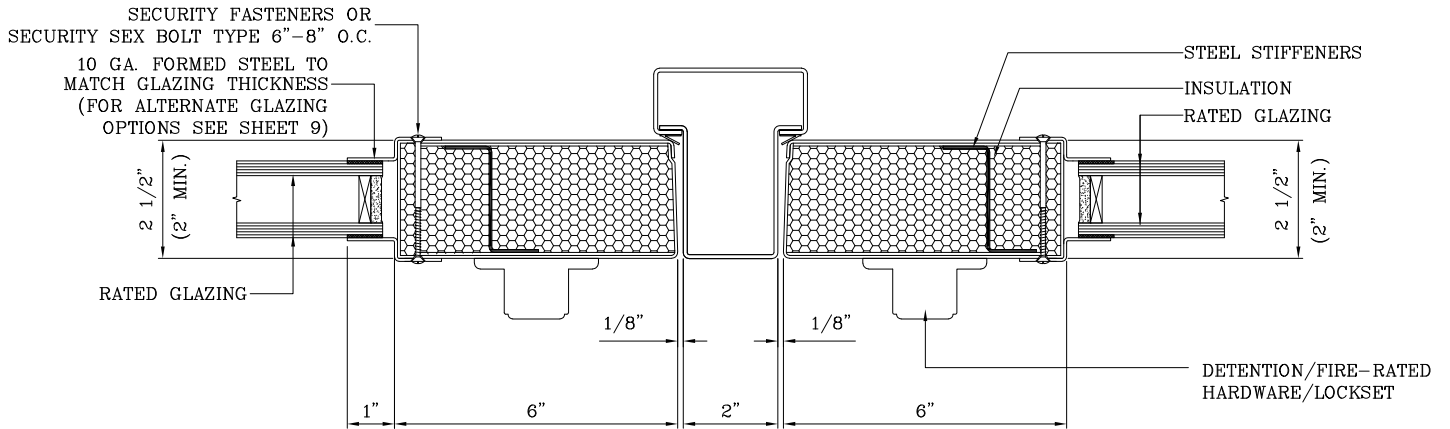
SCALE:

SHEET 7 OF 9

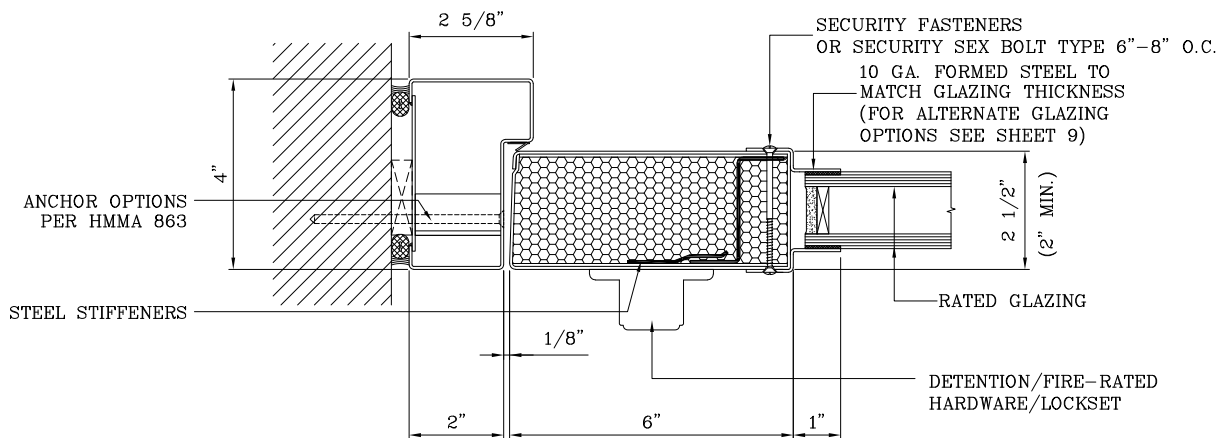
DETENTION AND FIRE-RATED DOOR

- INTERIOR APPLICATION - SWINGING -

For more details, please visit www.titanmetalinc.com



1
8 DOOR MEETING STILES DETAIL



2
8 DOOR JAMB at LOCK DETAIL



1891 Wardrobe Ave Merced CA 95341
Tel: 866.848.2667 Fax: 209.626.3285

DETENTION AND FIRE-RATED DOORS
ASTM F1450

These details are subject to change without notice.

DETAIL SHEET 8

DATE:

DRAWN:

SCALE:

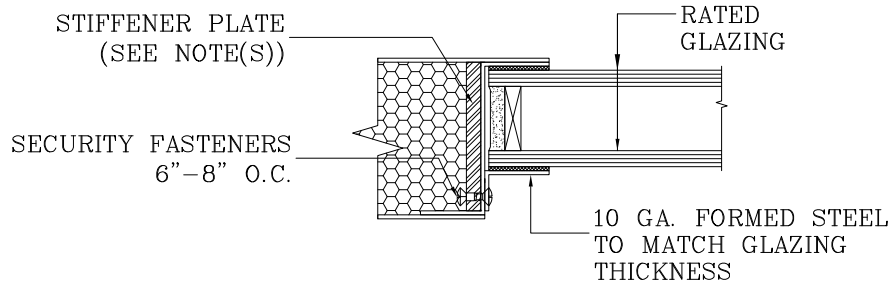
SHEET 8 OF 9

DETENTION AND FIRE-RATED DOOR

- INTERIOR APPLICATION - SWINGING -

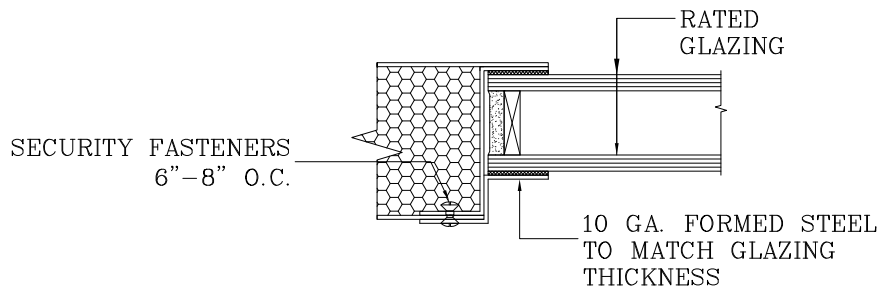
For more details, please visit www.titanmetalincl.com

ALTERNATE OPTIONS FOR GLAZING STOPS



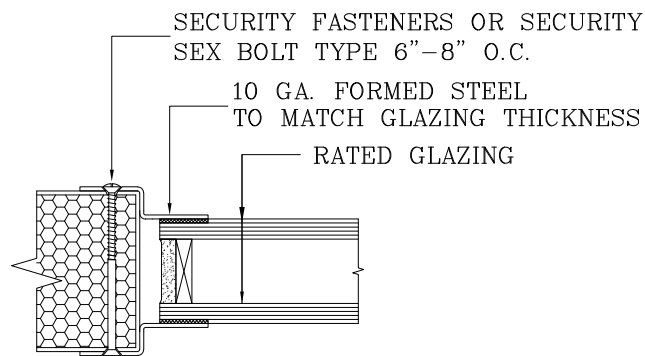
A
9

GLAZING STOP TYPE: A - FLUSH GLAZED



B
9

GLAZING STOP TYPE: B - FLUSH GLAZED



C
9

GLAZING STOP TYPE: C - CENTER GLAZED
(SHOWN IN STANDARD DETAILS)

NOTE(S): A STIFFENER PLATE NEEDS TO BE ADDED TO THE PERIMETER OF "A" TO HELP SECURE THE FASTENERS OF THE VISION KIT.



1891 Wardrobe Ave Merced CA 95341
Tel: 866.848.2667 Fax: 209.626.3285

DETENTION AND FIRE-RATED DOORS
ASTM F1450

VISION/GLAZING OPTIONS

DATE:

DRAWN:

SCALE:

These details are subject to change without notice.

SHEET 9 OF 9