

SECURITY RATED DOORS AND FRAMES



SECURITY



FIRE RATED



APPROVED
WITH SAFTI **FIRST**
GLAZING



SAFETY
GLAZING



SINGLE DOOR



PAIR DOOR



GREEN



LISTED BY
INTERTEK



USA-MADE

CUSTOM OPTIONS:



SMOKE RATED

PRODUCT ADVANTAGES

- ▶ Tested to NFPA 252, UL 10B, UL 10C and CAN/ULC-S104 up to 3 hours.
- ▶ Large sizes available in single door or pairs.
- ▶ Available with vision lite.
- ▶ Meets 450° F @ 30 minutes temperature rise door requirement.
- ▶ Door thickness ranges from 1-3/4 in. to 3 in.
- ▶ Listed and labeled by Intertek.
- ▶ USA-manufactured for fast lead times and competitive pricing.
- ▶ 5 year manufacturer's warranty.



SIZE CHARTS

Maximum Sizes for Doors up to 90 Minutes

| Single Door | Pair Door |
|------------------------------------|--------------------------------------|
| 60 in. x 144 in. (1.52 m x 3.65 m) | 120 in. x 144 in. (3.04 m x 3.65 m)* |

*3/4 in. astragal must be applied to standard pairs.

Maximum Sizes for 3 Hour Doors

| Single Door |
|-----------------------------------|
| 48 in. x 96 in. (1.21 m x 2.43 m) |

DOOR CONSTRUCTION

Doors and door frames are made in 14-gauge G-90 steel and insulated to meet the 450° F temperature rise door requirements. Door frames are shipped welded as standard and can be shipped knocked down upon request for ease of assembly in the field.

HARDWARE OPTIONS

Titan Metal Products offers standard hardware packages and can accommodate most specialty hardware options.

APPROVALS

NFPA 80, NFPA 252, UL 63, UL 10B, UL 10C, UL 1784, CAN/ULC-S104, HMMA 860, HMMA 861, HMMA 862, HMMA 866, CPSC 16 CFR 1201, ANSI Z97.1

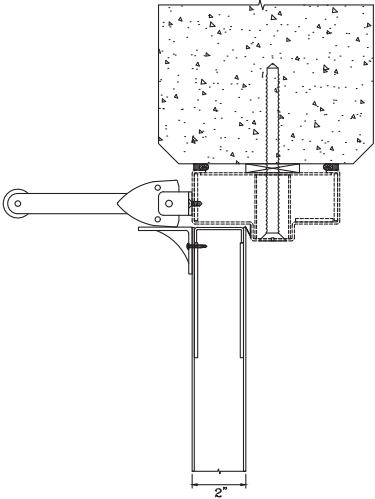


Titan Metal Products
USA

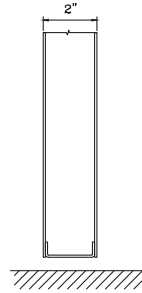
1-866-TITANMP (848-2667) | www.titanmetalproducts.com

SECURITY RATED DOORS AND FRAMES

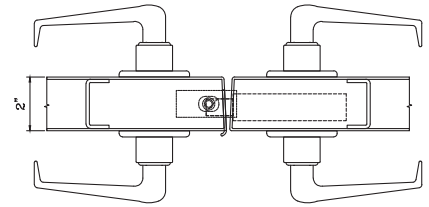
TYPICAL DETAILS



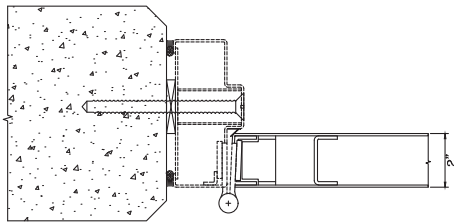
DOOR TOP RAIL DETAIL



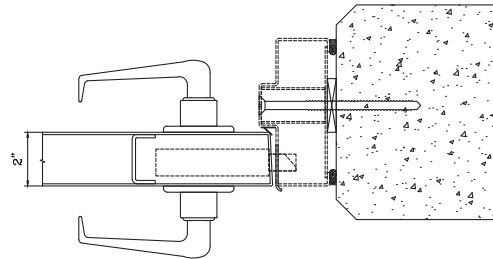
DOOR BOTTOM RAIL DETAIL



DOOR MEETING STILES



DOOR JAMB AT HINGE



DOOR JAMB AT LOCK

MEMBERSHIPS



© Titan Metal Products. February 2021



Titan Metal Products
USA

1-866-TITANMP (848-2667) | www.titanmetalproducts.com