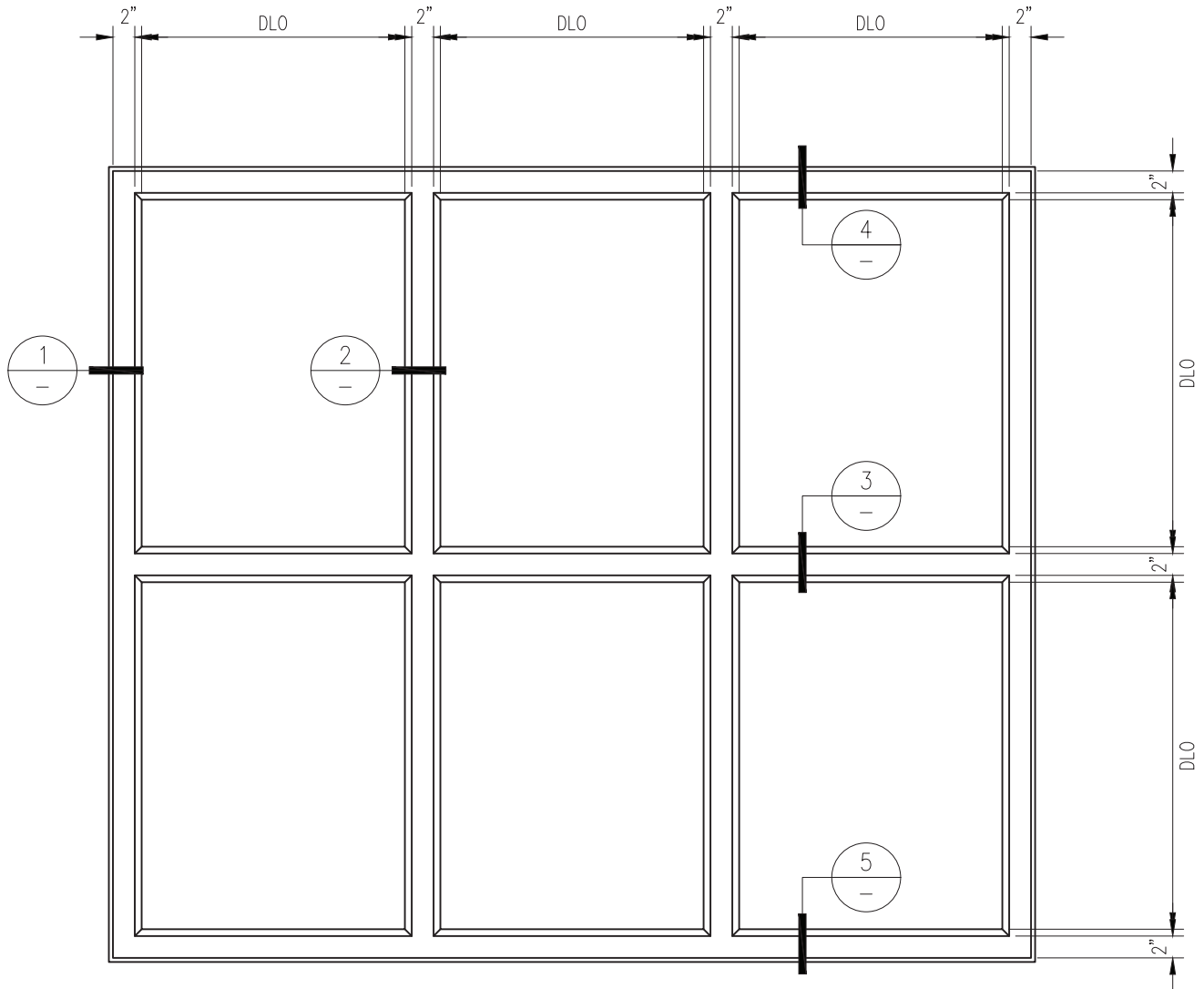


45 MINUTE FIRE PROTECTIVE OPENING
 WITH SUPERCLEAR 45-HS-LI
 -INTERIOR APPLICATION-



Titan Metal Products
 USA

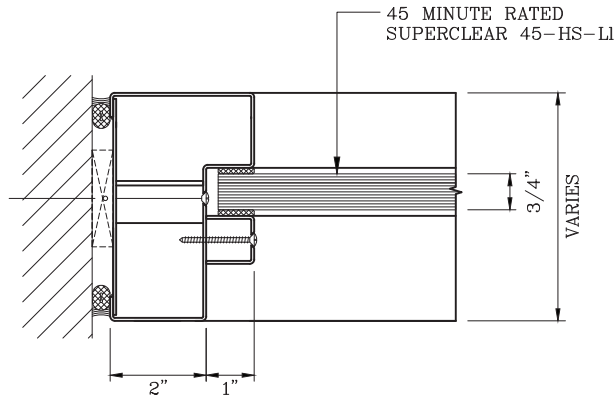
DATE:

DRAWN:

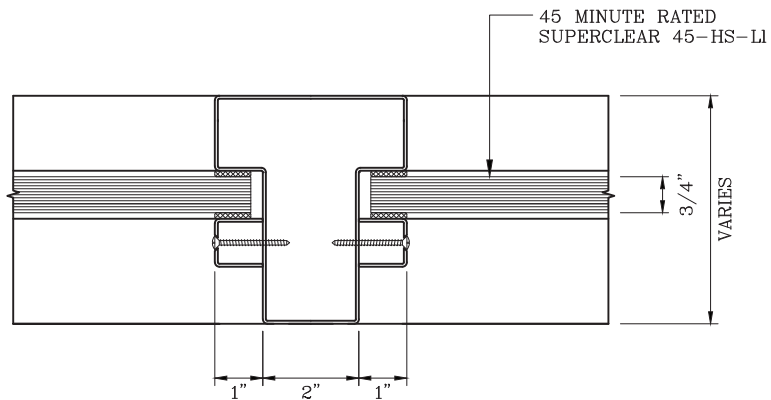
SCALE:

These details are subject to change without notice.

45 MINUTE FIRE PROTECTIVE OPENING
 WITH SUPERCLEAR 45-HS-LI
 -INTERIOR APPLICATION-



1 JAMB DETAIL



2 VERTICAL MULLION DETAIL



DATE:

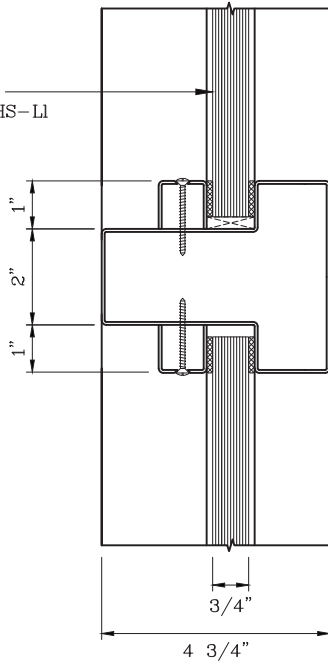
DRAWN:

SCALE:

These details are subject to change without notice.

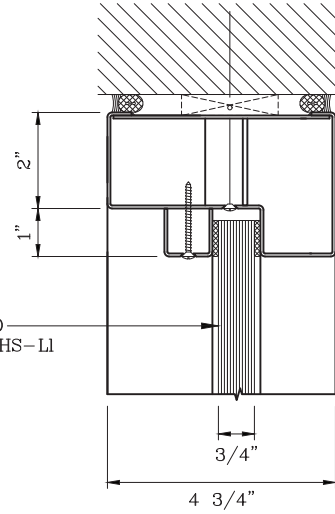
45 MINUTE FIRE PROTECTIVE OPENING WITH SUPERCLEAR 45-HS-LI -INTERIOR APPLICATION-

45 MINUTE RATED
SUPERCLEAR 45-HS-LI



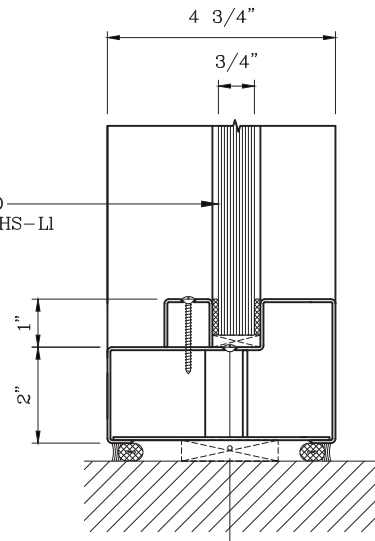
3 HORIZONTAL MULLION DETAIL

45 MINUTE RATED
SUPERCLEAR 45-HS-LI



4 HEAD DETAIL

45 MINUTE RATED
SUPERCLEAR 45-HS-LI



5 SILL DETAIL



Titan Metal Products
USA

DATE:

DRAWN:

SCALE:

These details are subject to change without notice.