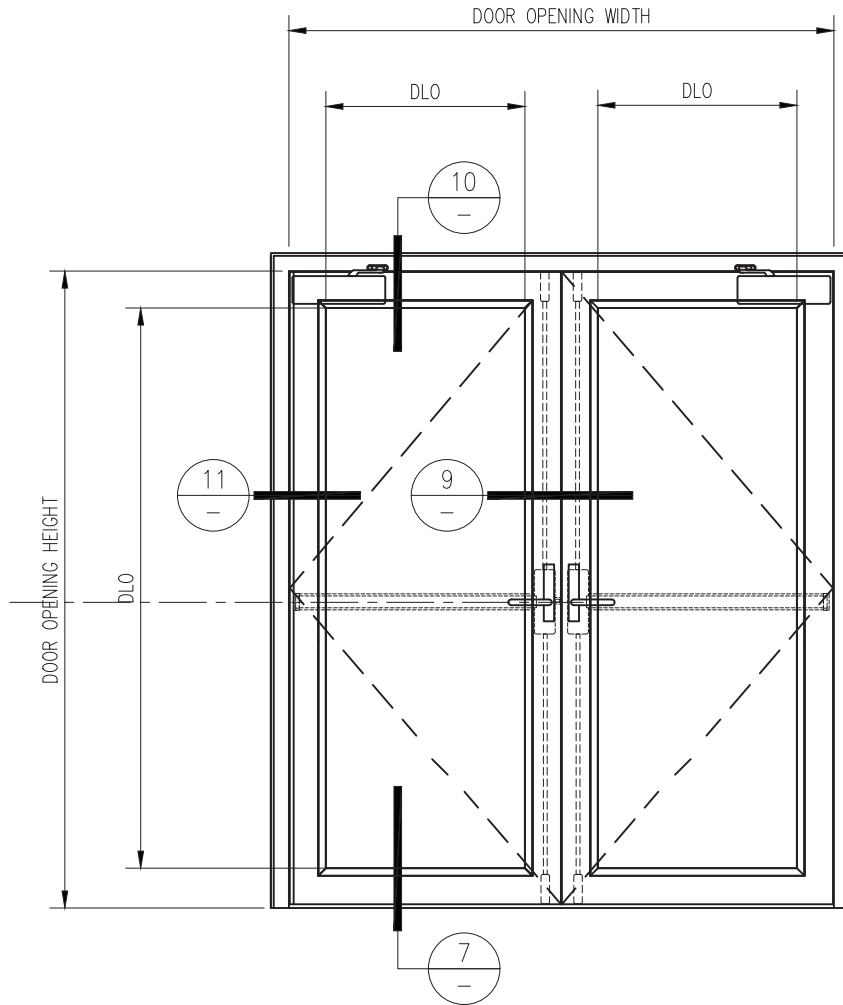


90 MINUTE NARROW PROFILE TEMPERATURE RISE
DOOR PAIR
-INTERIOR APPLICATION-



Titan Metal Products
USA

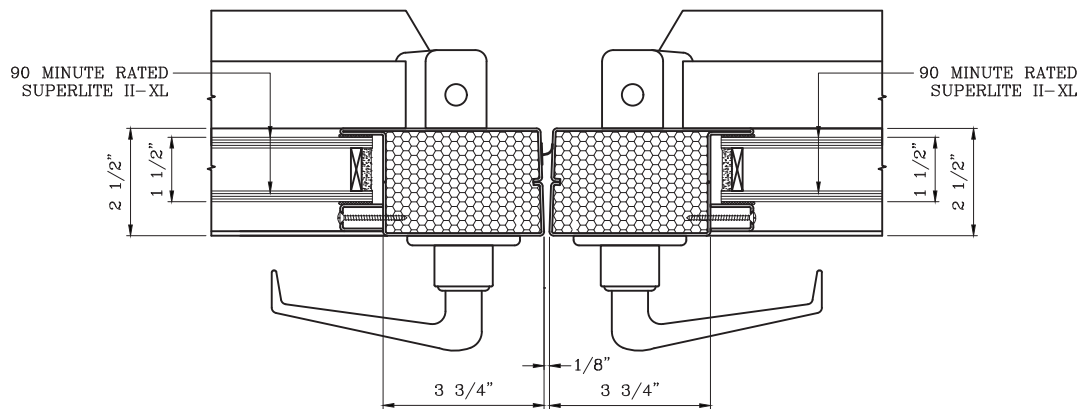
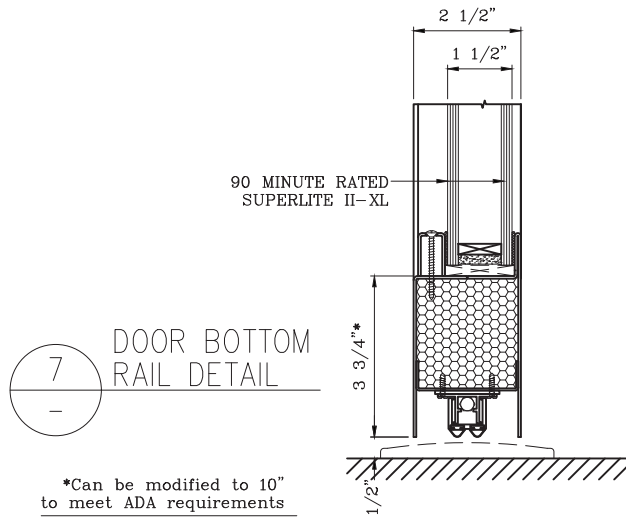
DATE:

DRAWN:

SCALE:

These details are subject to change without notice.

90 MINUTE NARROW PROFILE TEMPERATURE RISE DOOR PAIR -INTERIOR APPLICATION-



Titan Metal Products
USA

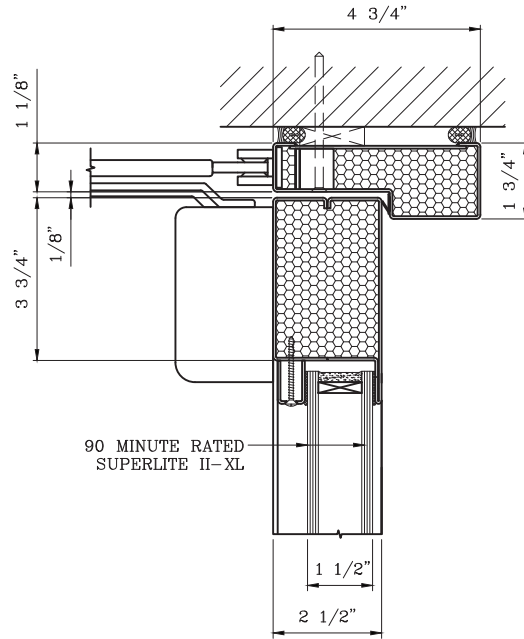
DATE:

DRAWN:

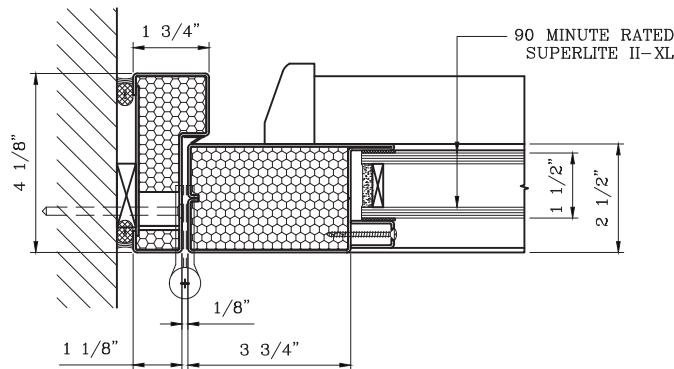
SCALE:

These details are subject to change without notice.

90 MINUTE NARROW PROFILE TEMPERATURE RISE DOOR PAIR -INTERIOR APPLICATION-



10 DOOR TOP RAIL DETAIL



11 DOOR JAMB at HINGE DETAIL



Titan Metal Products
USA

DATE:

DRAWN:

SCALE:

These details are subject to change without notice.