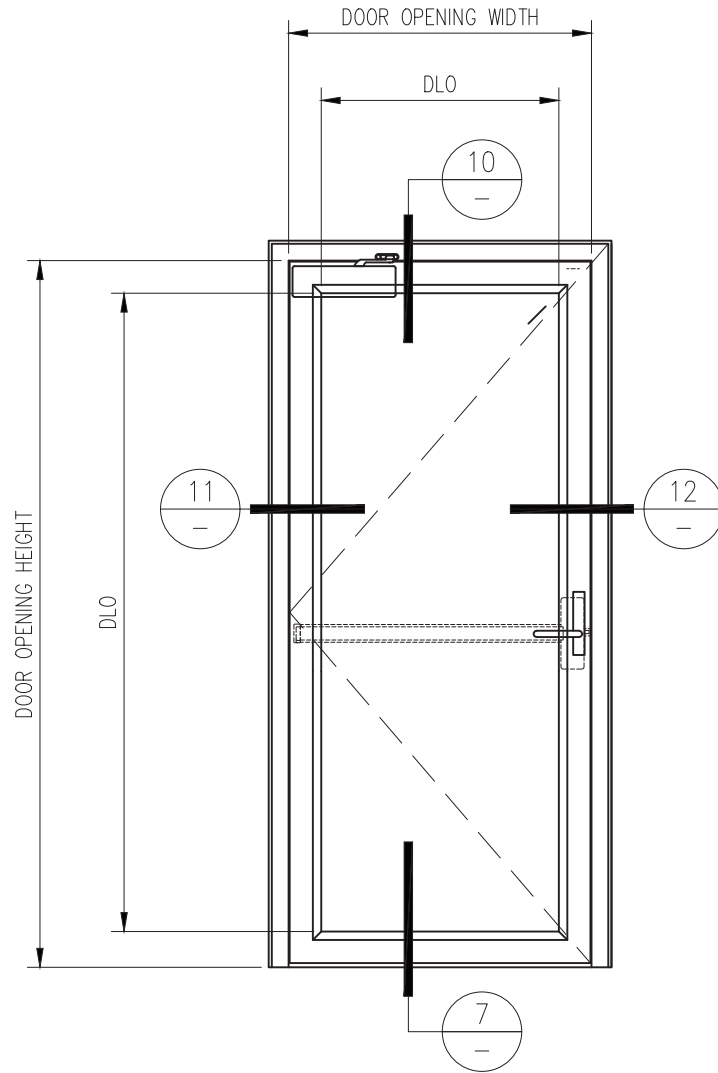


# 90 MINUTE NARROW PROFILE TEMPERATURE RISE SINGLE DOOR

-INTERIOR APPLICATION-



**Titan Metal Products**  
USA

DATE:

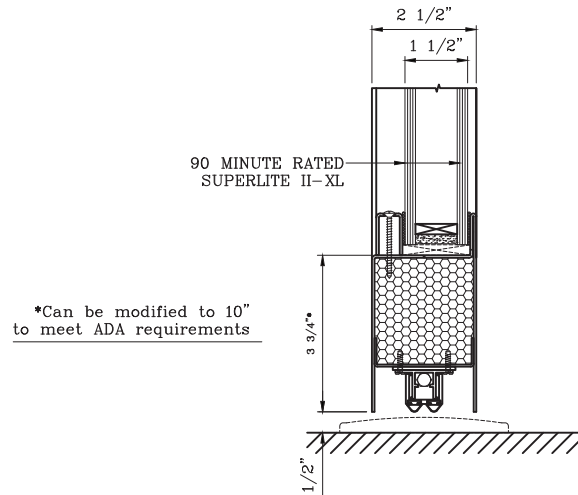
DRAWN:

SCALE:

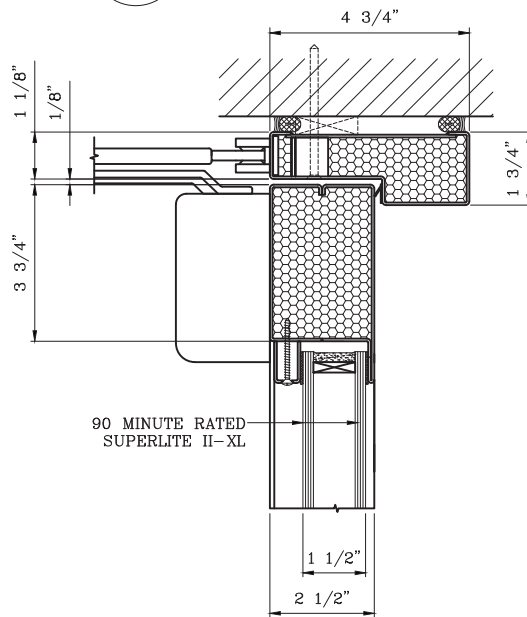
These details are subject to change without notice.

# 90 MINUTE NARROW PROFILE TEMPERATURE RISE SINGLE DOOR

## -INTERIOR APPLICATION-



7 DOOR BOTTOM RAIL DETAIL



10 DOOR TOP RAIL DETAIL



**Titan Metal Products**  
USA

DATE:

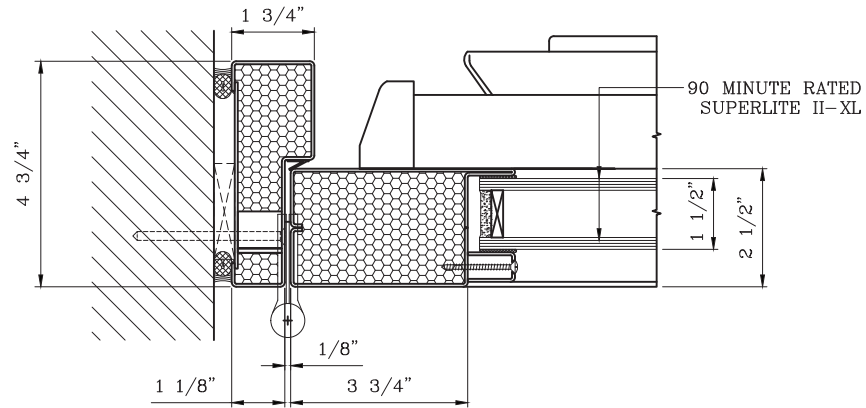
DRAWN:

SCALE:

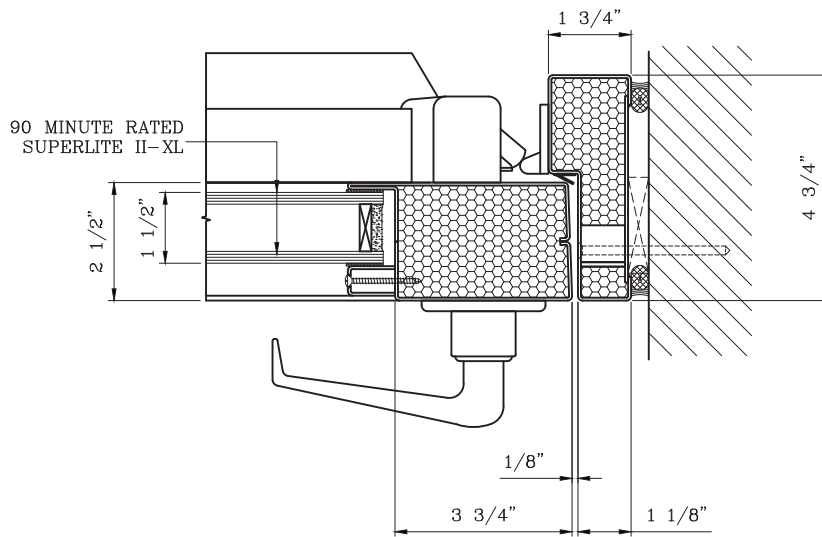
These details are subject to change without notice.

# 90 MINUTE NARROW PROFILE TEMPERATURE RISE SINGLE DOOR

## -INTERIOR APPLICATION-



11 DOOR JAMB at HINGE DETAIL



12 DOOR JAMB at LOCK DETAIL



**Titan Metal Products**  
USA

DATE:

DRAWN:

SCALE:

These details are subject to change without notice.