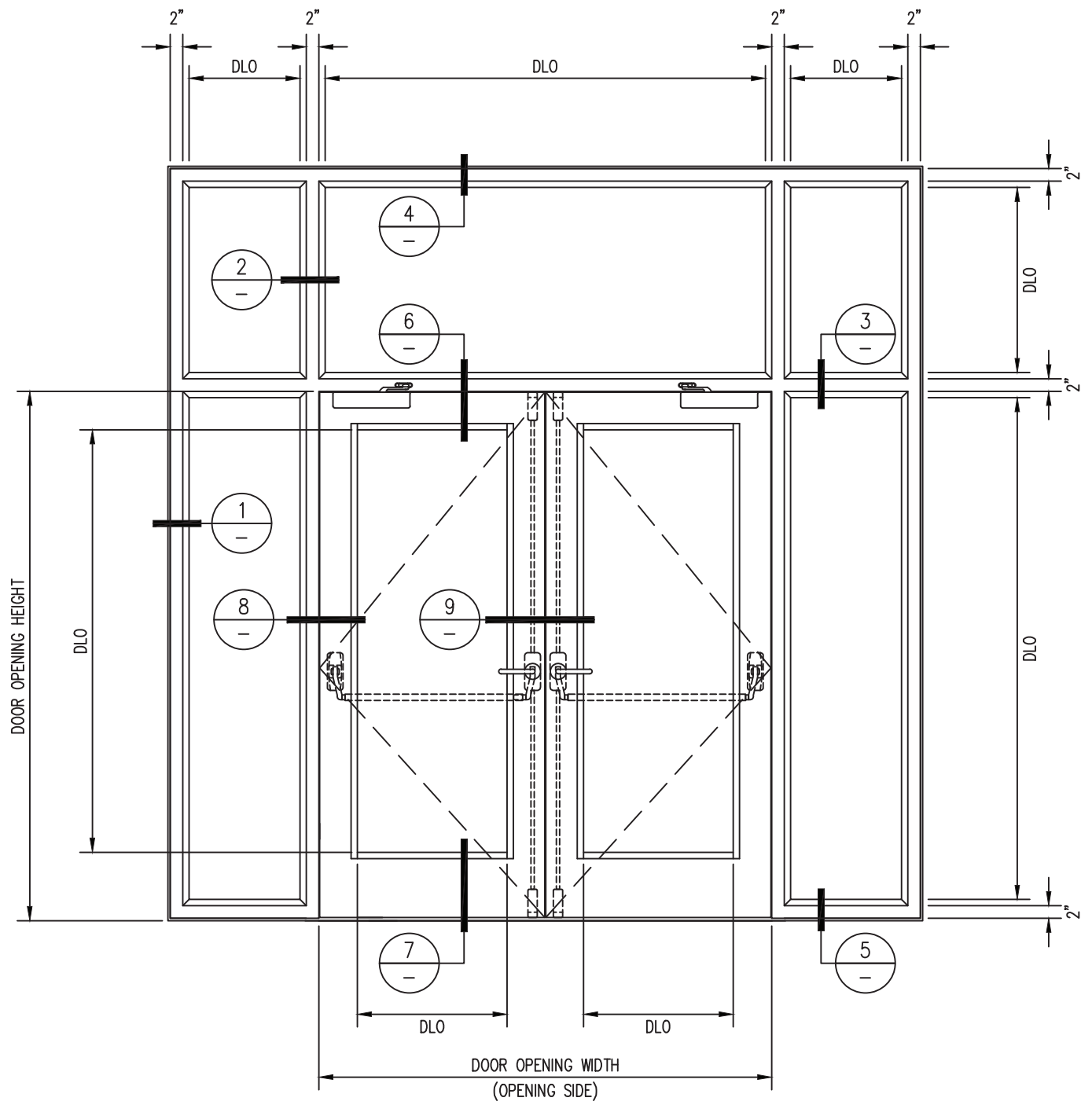


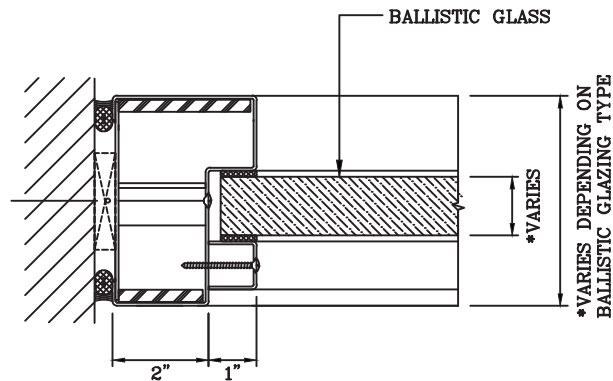
BALLISTIC RATED WALL WITH BALLISTIC RATED DOOR PAIR



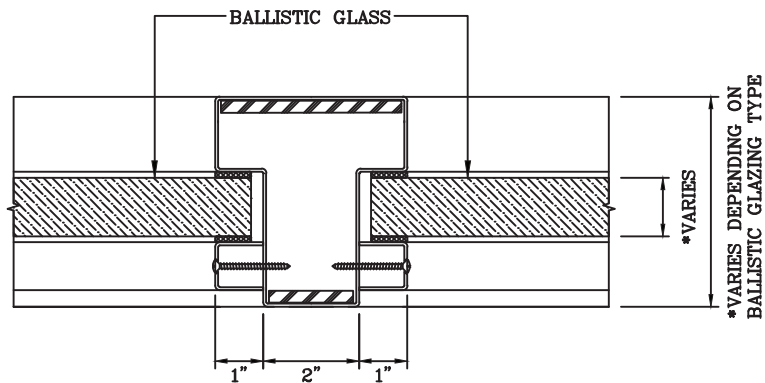
DATE:	
DRAWN:	SCALE:

These details are subject to change without notice.

BALLISTIC RATED WALL WITH BALLISTIC RATED DOOR PAIR



1
—
JAMB DETAIL



2
—
VERTICAL MULLION DETAIL



Titan Metal Products
USA

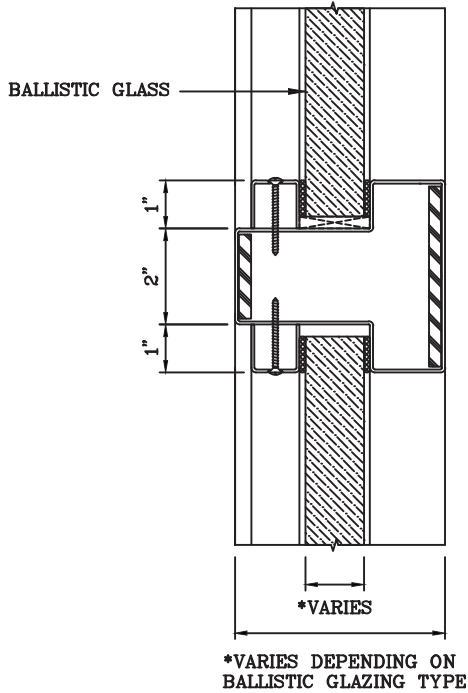
DATE:

DRAWN:

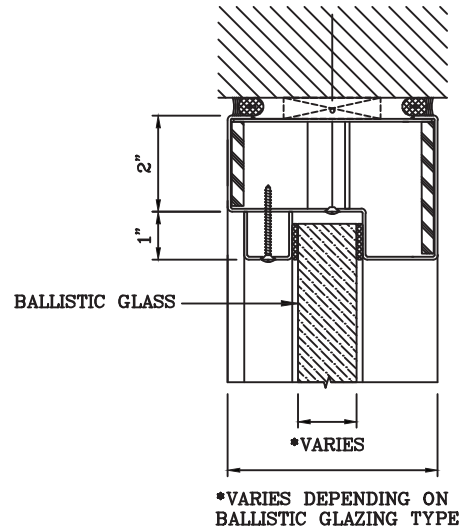
SCALE:

These details are subject to change without notice.

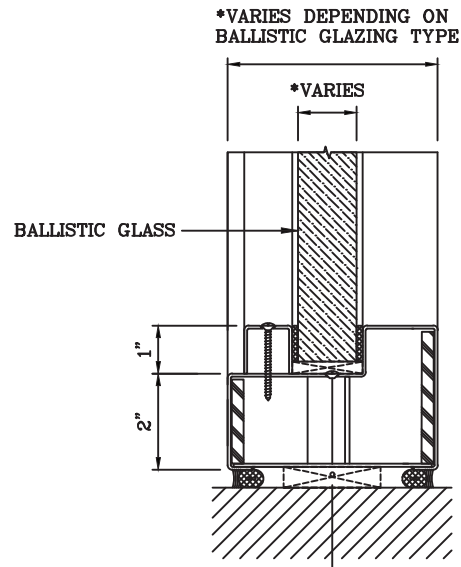
BALLISTIC RATED WALL WITH BALLISTIC RATED DOOR PAIR



3 HORIZONTAL MULLION DETAIL



4 HEAD DETAIL



5 SILL DETAIL



Titan Metal Products
USA

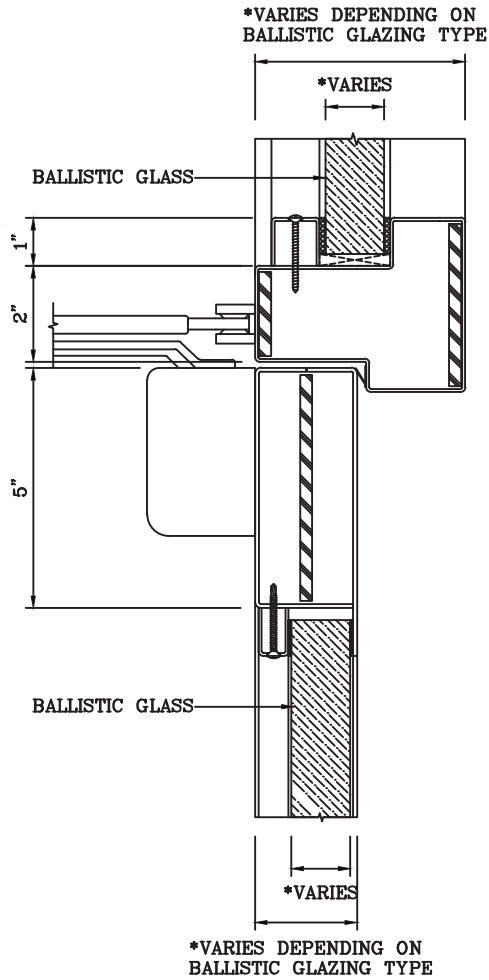
DATE:

DRAWN:

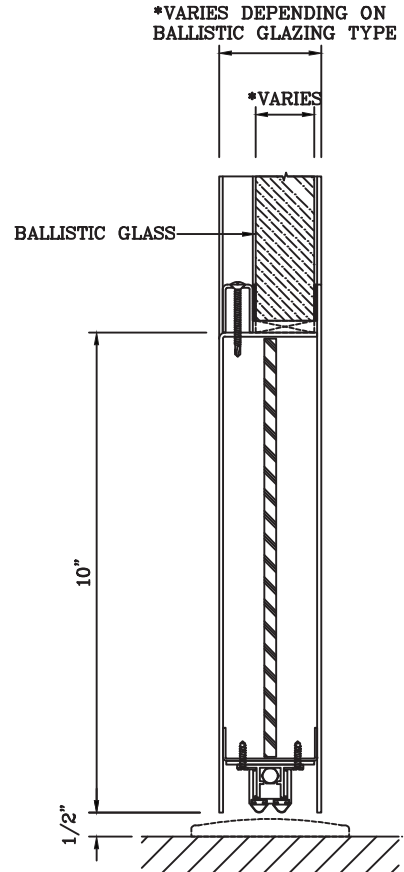
SCALE:

These details are subject to change without notice.

BALLISTIC RATED WALL WITH BALLISTIC RATED DOOR PAIR



6 DOOR TOP RAIL DETAIL



7 DOOR BOTTOM RAIL DETAIL



Titan Metal Products
USA

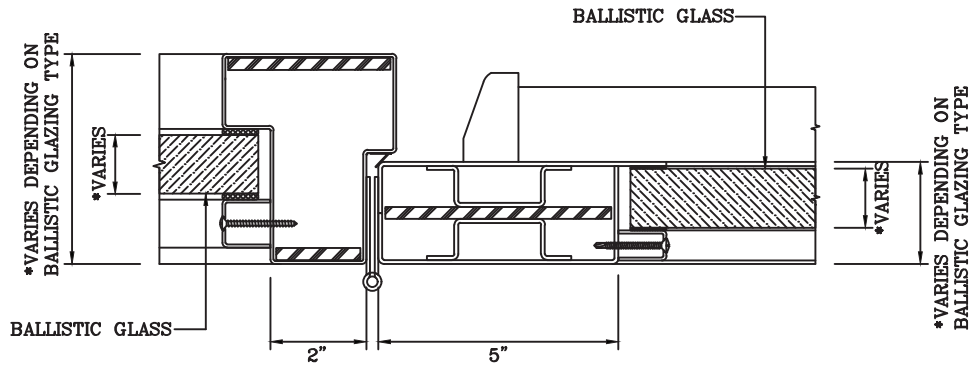
DATE:

DRAWN:

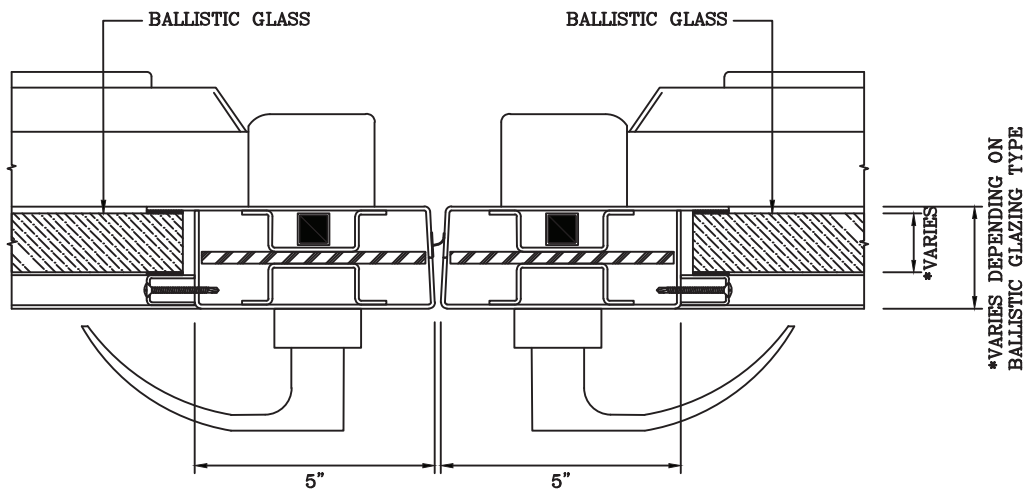
SCALE:

These details are subject to change without notice.

BALLISTIC RATED WALL WITH BALLISTIC RATED DOOR PAIR



8
DOOR JAMB at HINGE DETAIL



9
DOOR MEETING STILES DETAIL



Titan Metal Products
USA

DATE:

DRAWN:

SCALE:

These details are subject to change without notice.