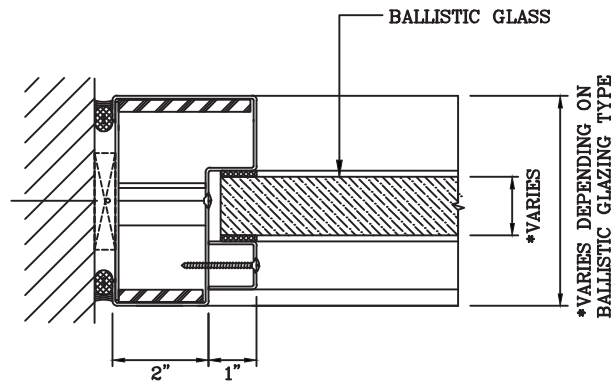
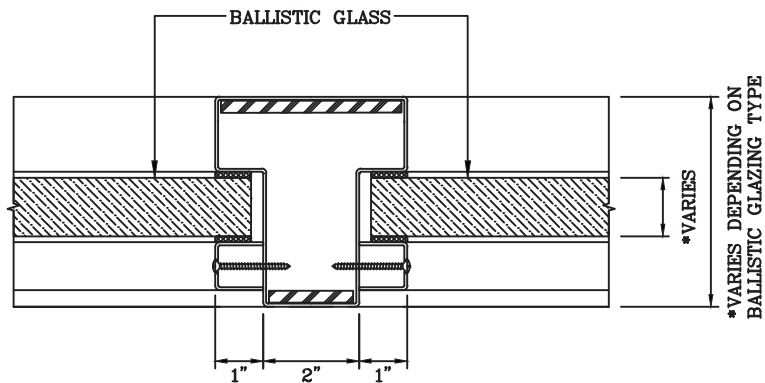




# BALLISTIC RATED WALL WITH BALLISTIC RATED SINGLE DOOR



1  
—  
JAMB DETAIL



2  
—  
VERTICAL MULLION DETAIL



**Titan Metal Products**  
USA

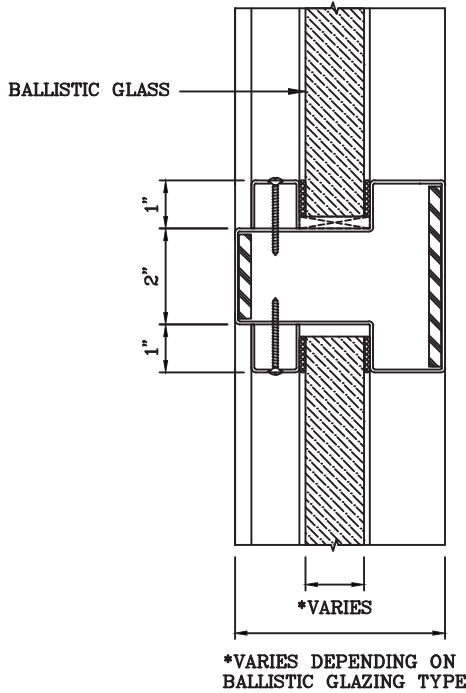
DATE:

DRAWN:

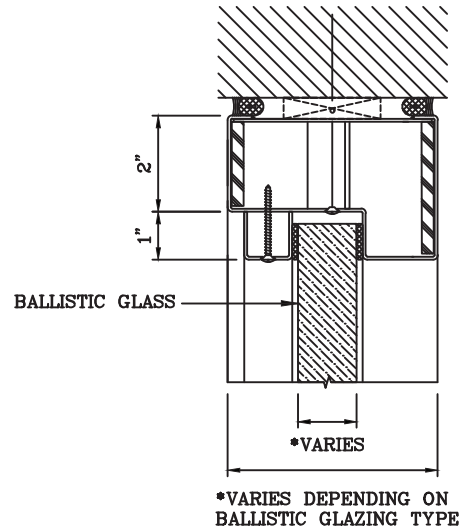
SCALE:

These details are subject to change without notice.

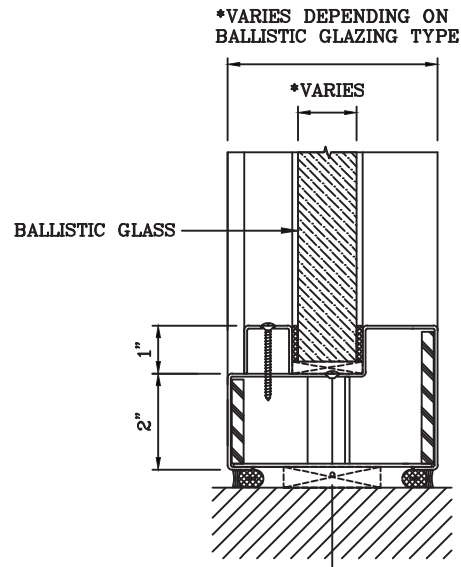
# BALLISTIC RATED WALL WITH BALLISTIC RATED SINGLE DOOR



3 HORIZONTAL MULLION DETAIL



4 HEAD DETAIL



5 SILL DETAIL



**Titan Metal Products**  
USA

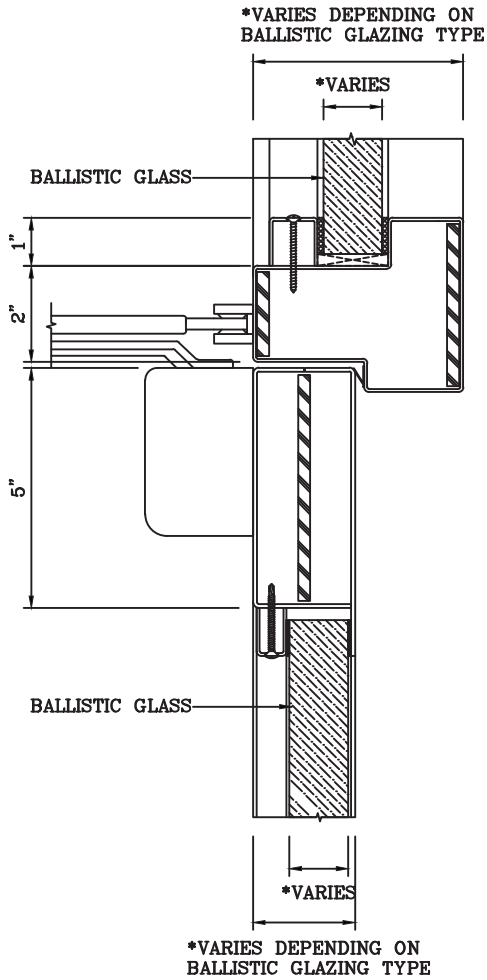
DATE:

DRAWN:

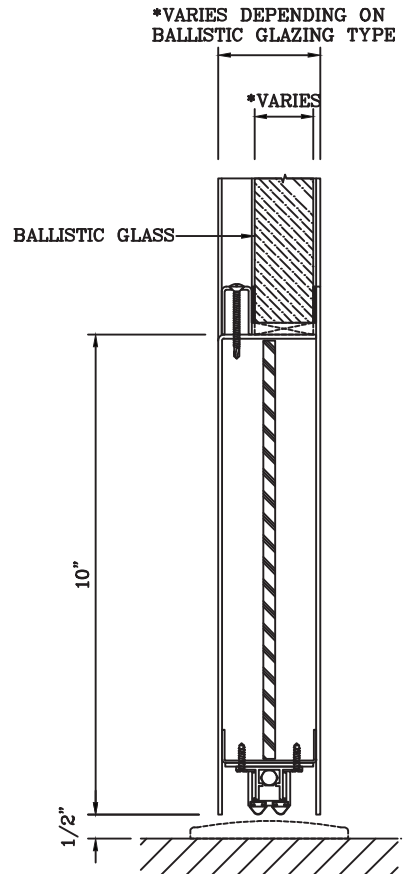
SCALE:

These details are subject to change without notice.

# BALLISTIC RATED WALL WITH BALLISTIC RATED SINGLE DOOR



(6) DOOR TOP RAIL DETAIL



(7) DOOR BOTTOM RAIL DETAIL



**Titan Metal Products**  
USA

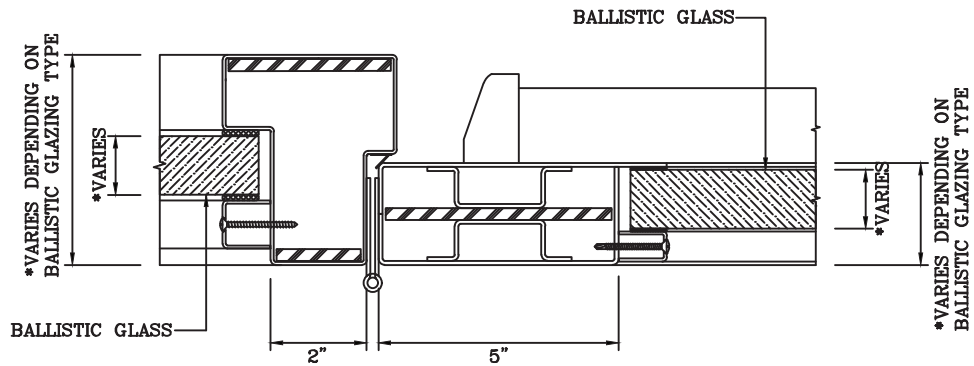
DATE:

DRAWN:

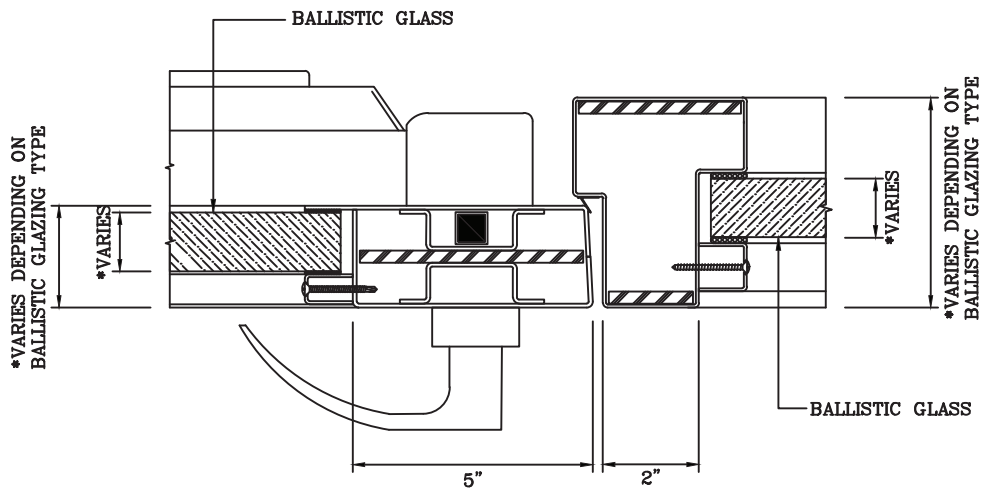
SCALE:

These details are subject to change without notice.

# BALLISTIC RATED WALL WITH BALLISTIC RATED SINGLE DOOR



8  
—  
DOOR JAMB at HINGE DETAIL



9  
—  
DOOR JAMB at LOCK DETAIL



**Titan Metal Products**  
USA

DATE:

DRAWN:

SCALE:

These details are subject to change without notice.