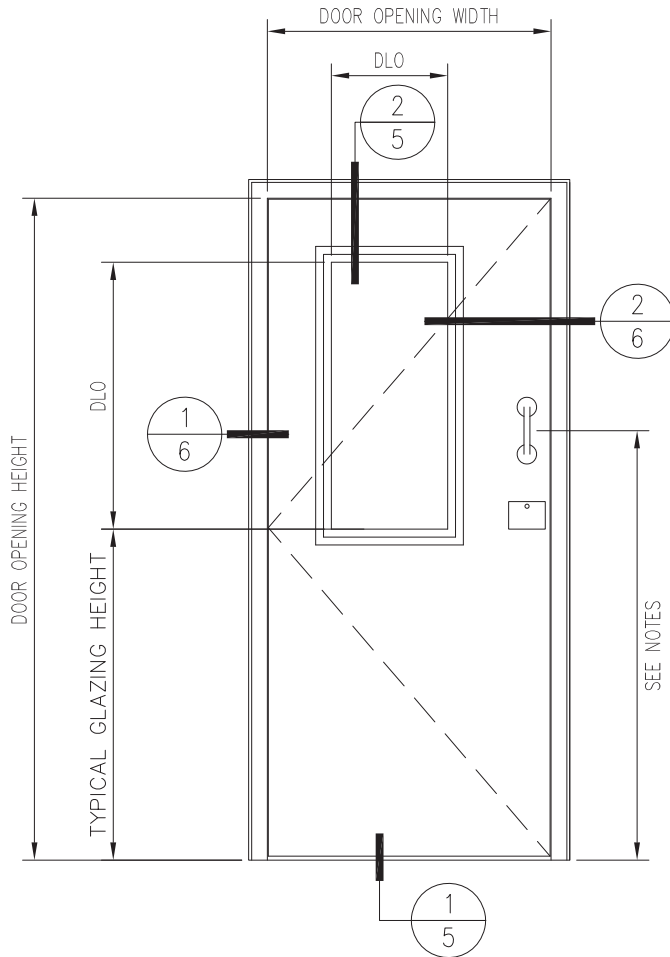


GLAZED DETENTION AND FIRE-RATED DOOR

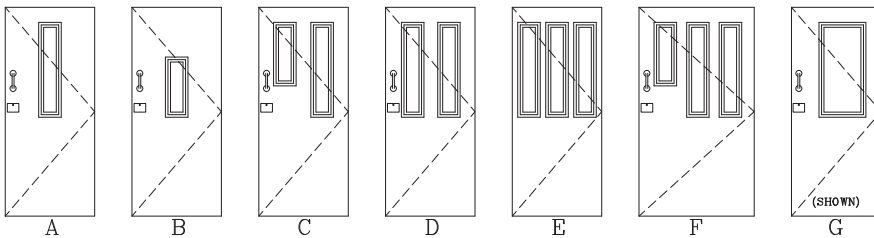
— INTERIOR APPLICATION — SWINGING —

SECURITY PULL HANDLE NOTES:

1. 34" MIN. A.F.F TO 44" MAX. A.F.F. TO CENTER OF PULL HANDLE AT ADA ACCESSIBLE DOORS.
2. INSTALL HANDLE 54" A.F.F TO CENTER OF PULL HANDLE AT CUSTODY ONLY OPERATED DOORS.



GLAZING OPTIONS AVAILABLE:



DETENTION AND FIRE-RATED DOORS
ASTM F1450

SINGLE DOOR — GLAZED

DATE:

DRAWN:

SCALE:

These details are subject to change without notice.

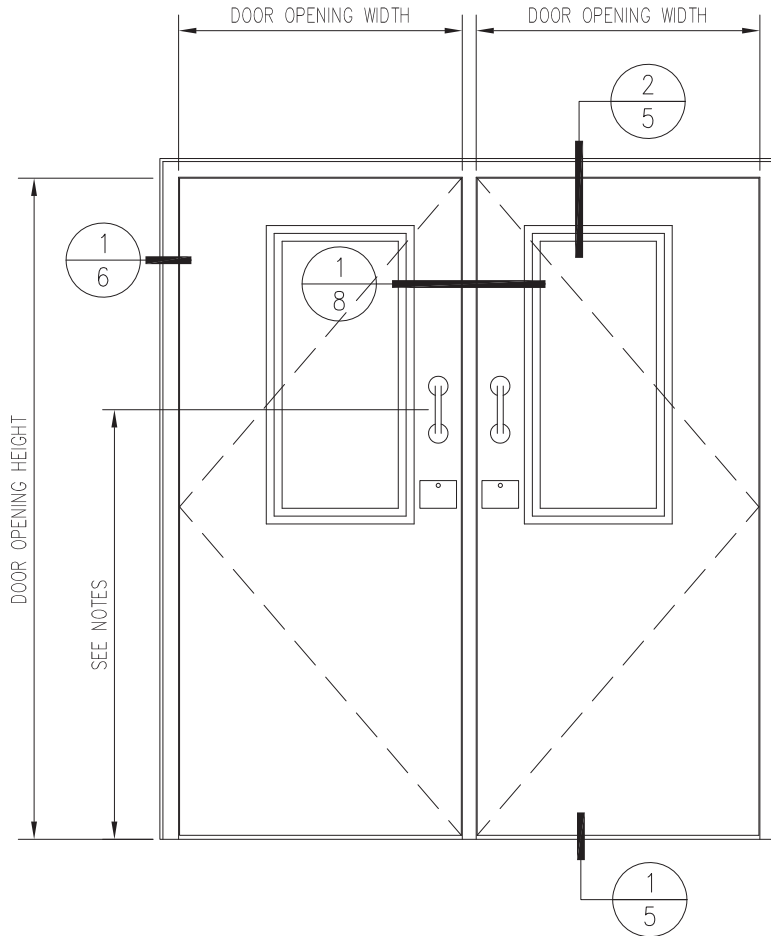
SHEET 1 OF 9

GLAZED DETENTION AND FIRE-RATED DOOR – PAIR

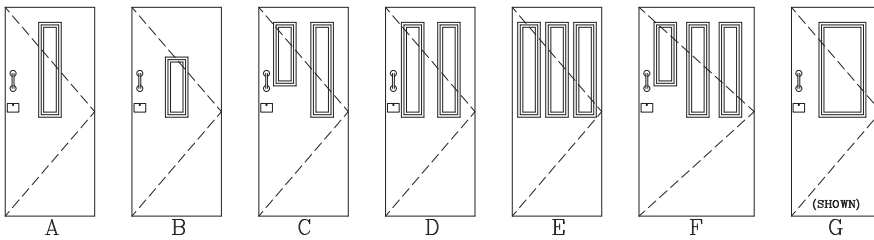
– INTERIOR APPLICATION – SWINGING –

SECURITY PULL HANDLE NOTES:

1. 34" MIN. A.F.F TO 44" MAX. A.F.F.
TO CENTER OF PULL HANDLE AT ADA ACCESSIBLE DOORS.
2. INSTALL HANDLE 54" A.F.F TO CENTER OF PULL
HANDLE AT CUSTODY ONLY OPERATED DOORS.



GLAZING OPTIONS AVAILABLE:



DETENTION AND FIRE-RATED DOORS
ASTM F1450

DOOR PAIR – GLAZED

DATE:

DRAWN:

SCALE:

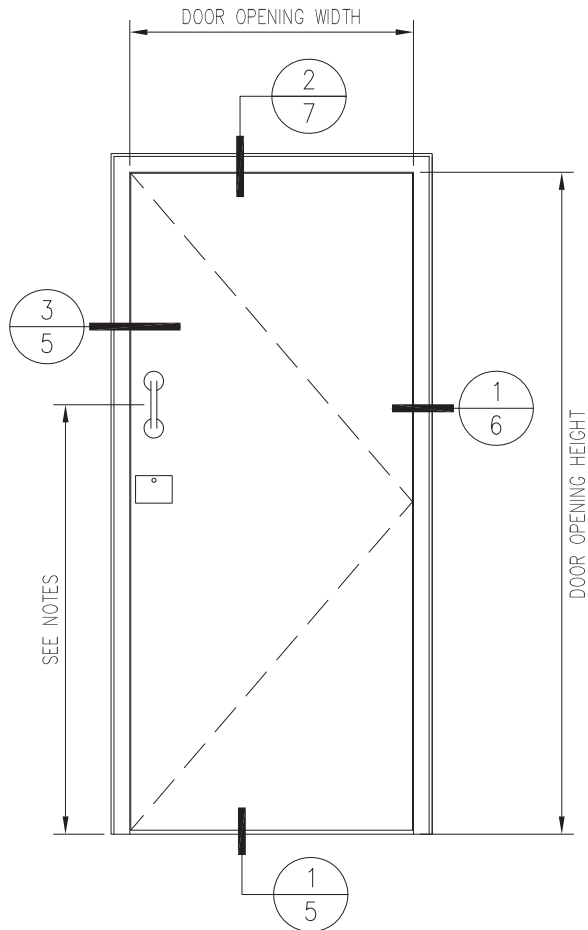
These details are subject to change without notice.

SHEET 2 OF 9

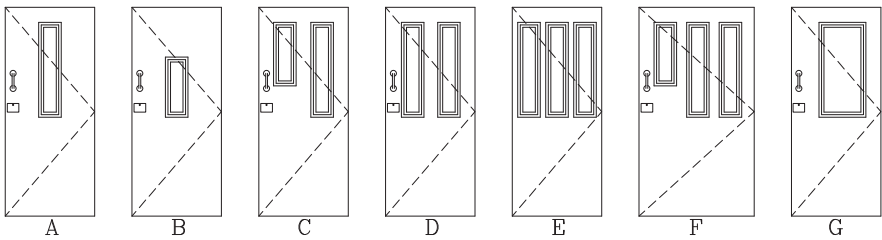
SOLID DETENTION AND FIRE-RATED DOOR – SINGLE


– INTERIOR APPLICATION – SWINGING –

- SECURITY PULL HANDLE NOTES:**
1. 34" MIN. A.F.F TO 44" MAX. A.F.F. TO CENTER OF PULL HANDLE AT ADA ACCESSIBLE DOORS.
 2. INSTALL HANDLE 54" A.F.F TO CENTER OF PULL HANDLE AT CUSTODY ONLY OPERATED DOORS.



GLAZING OPTIONS AVAILABLE:



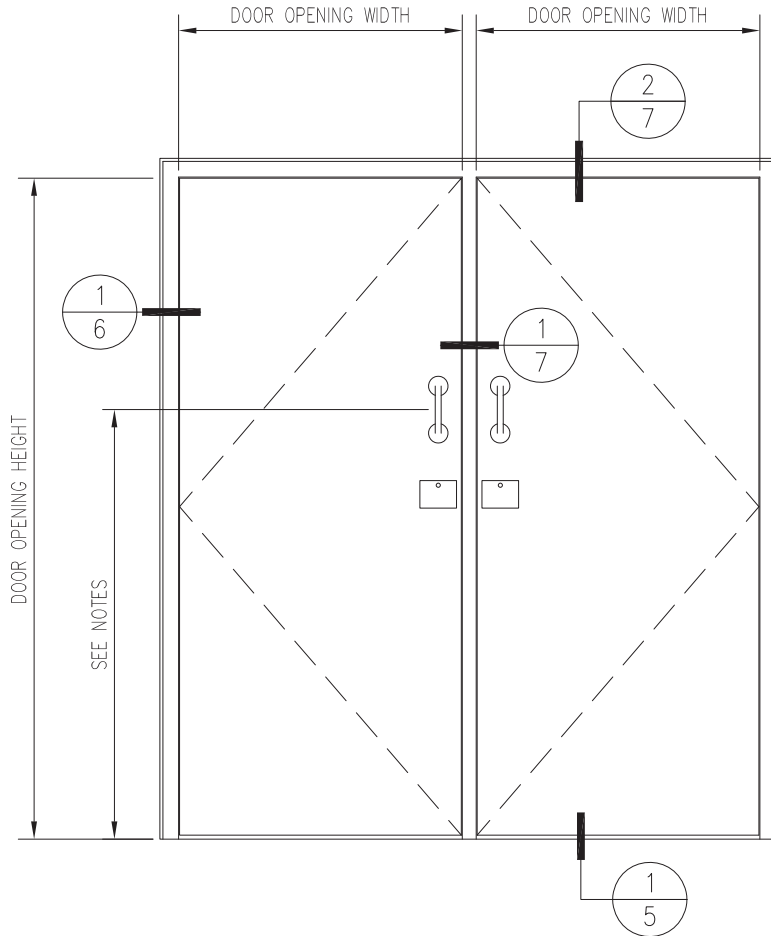
 <p>Titan Metal Products USA</p>	DETENTION AND FIRE-RATED DOORS ASTM F1450	SINGLE DOOR – SOLID	
	DATE:		SCALE:
	DRAWN:		SHEET 3 OF 9
	These details are subject to change without notice.		

SOLID DETENTION AND FIRE-RATED DOOR – PAIR

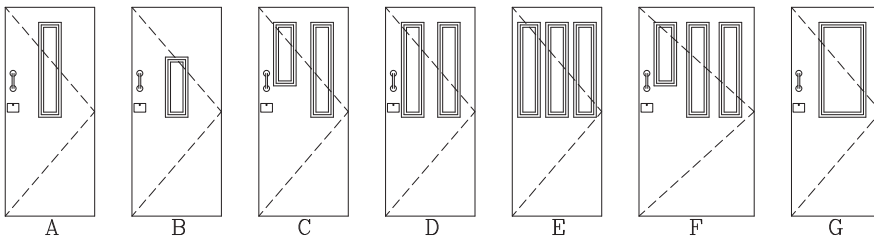
– INTERIOR APPLICATION – SWINGING –

SECURITY PULL HANDLE NOTES:

1. 34" MIN. A.F.F TO 44" MAX. A.F.F.
TO CENTER OF PULL HANDLE AT ADA ACCESSIBLE DOORS.
2. INSTALL HANDLE 54" A.F.F TO CENTER OF PULL
HANDLE AT CUSTODY ONLY OPERATED DOORS.



GLAZING OPTIONS AVAILABLE:



Titan Metal Products
USA

DETENTION AND FIRE-RATED DOORS
ASTM F1450

DOOR PAIR – SOLID

DATE:

DRAWN:

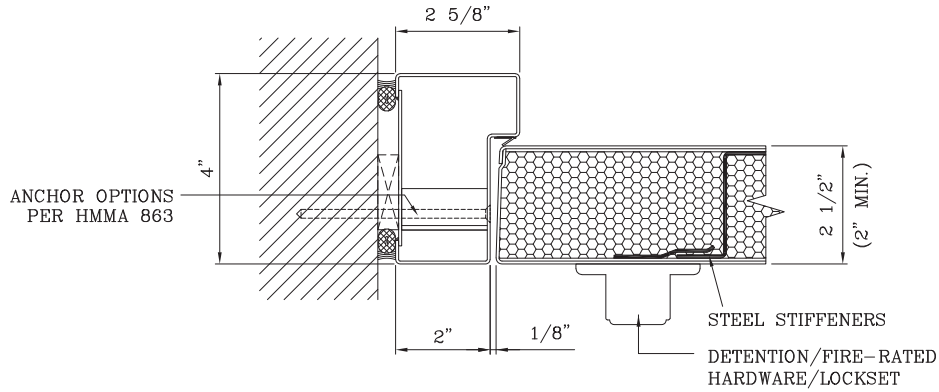
SCALE:

These details are subject to change without notice.

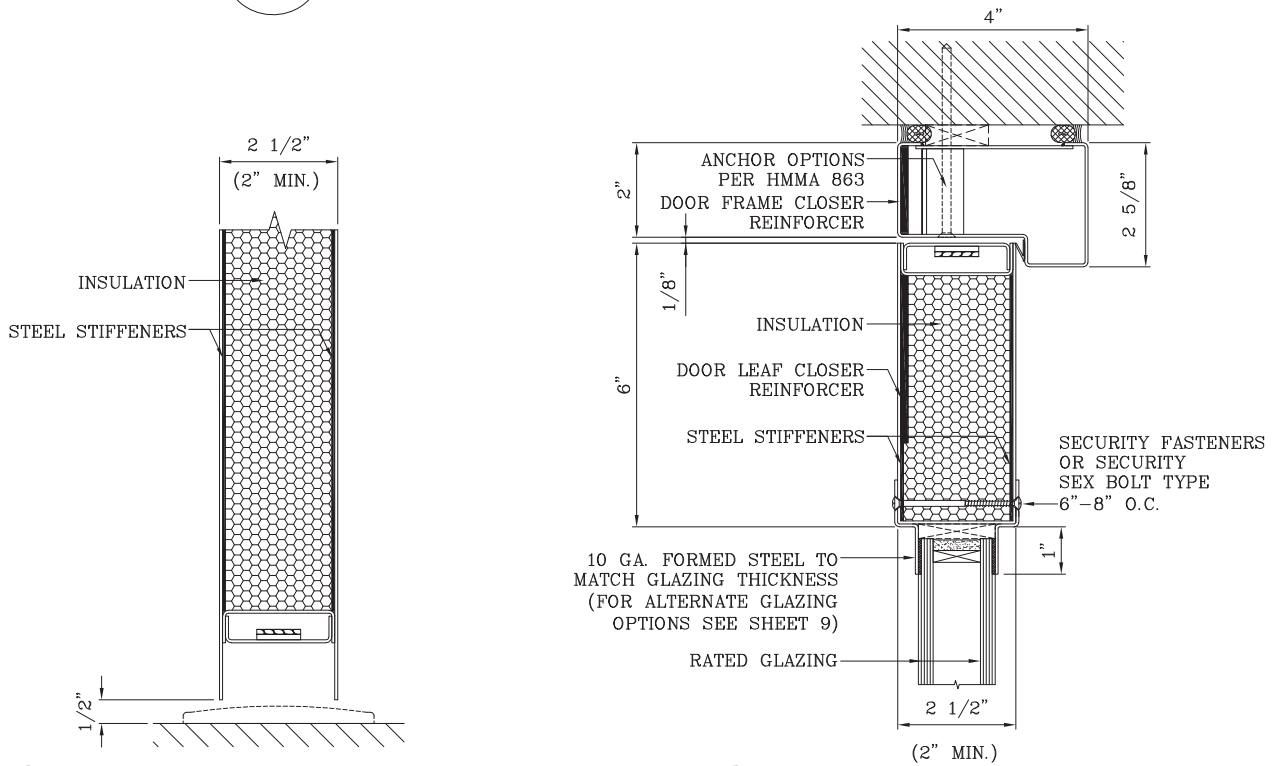
SHEET 4 OF 9

DETENTION AND FIRE-RATED DOOR

- INTERIOR APPLICATION - SWINGING -



3
5 DOOR JAMB at LOCK DETAIL



2
5 DOOR TOP RAIL DETAIL

1
5 DOOR BOTTOM RAIL DETAIL



DETENTION AND FIRE-RATED DOORS
ASTM F1450

DETAIL SHEET 5

DATE:

DRAWN:

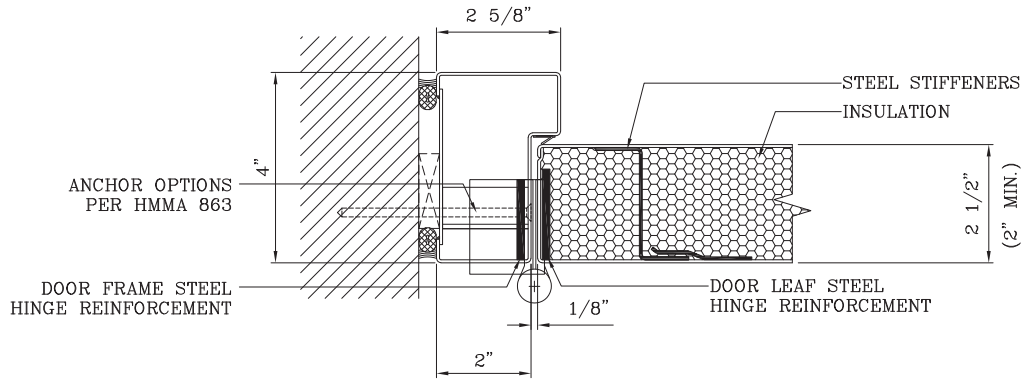
SCALE:

These details are subject to change without notice.

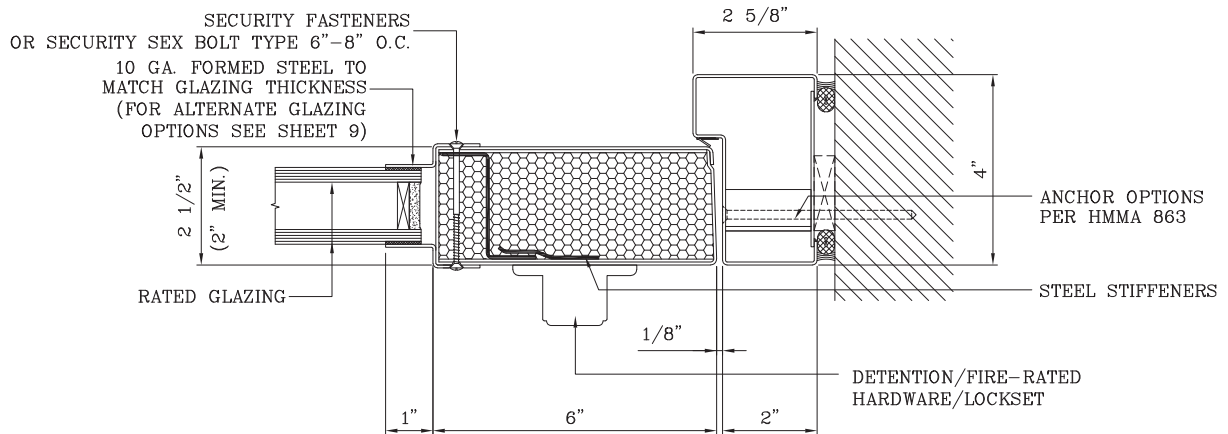
SHEET 5 OF 9

DETENTION AND FIRE-RATED DOOR

- INTERIOR APPLICATION - SWINGING -



1
6 DOOR JAMB at HINGE DETAIL (TYPICAL)



2
6 DOOR JAMB at LOCK DETAIL



Titan Metal Products
USA

DETENTION AND FIRE-RATED DOORS
ASTM F1450

DETAIL SHEET 6

DATE:

DRAWN:

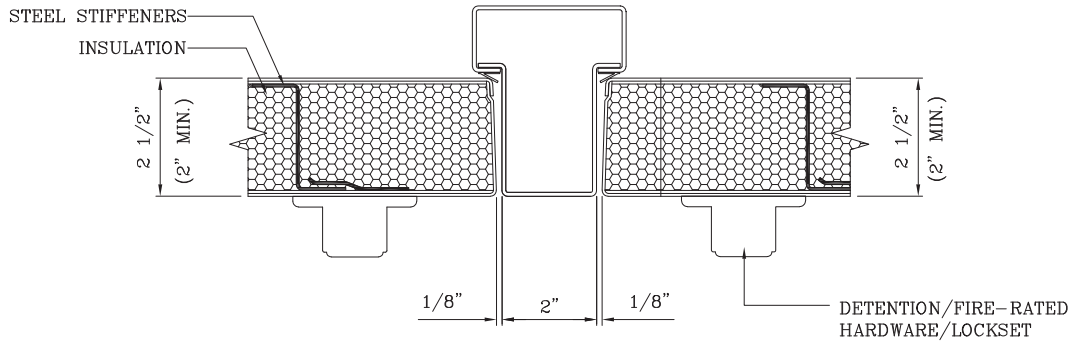
SCALE:

These details are subject to change without notice.

SHEET 6 OF 9

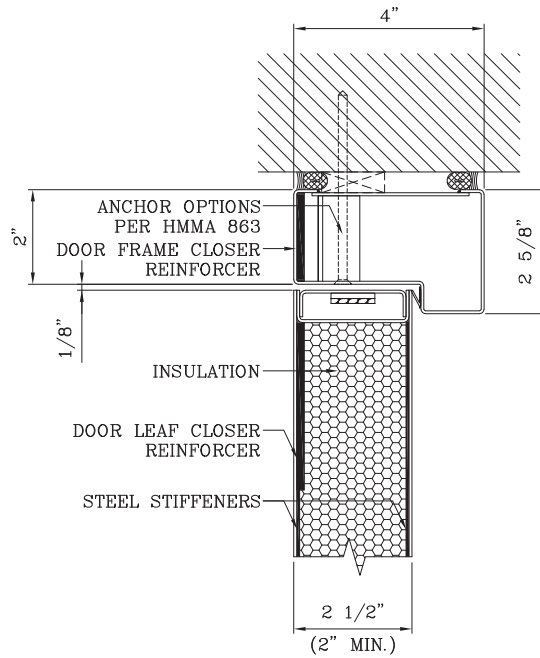
DETENTION AND FIRE-RATED DOOR

- INTERIOR APPLICATION - SWINGING -



1
7

DOOR MEETING STILES DETAIL



2
7

DOOR TOP RAIL DETAIL



DETENTION AND FIRE-RATED DOORS
ASTM F1450

DETAIL SHEET 7

DATE:

DRAWN:

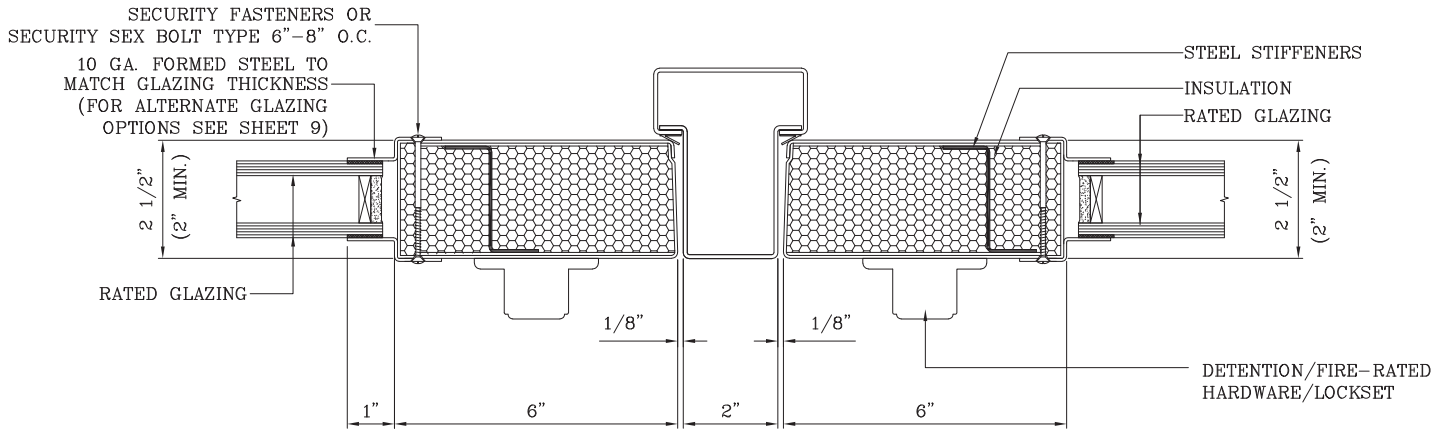
SCALE:

These details are subject to change without notice.

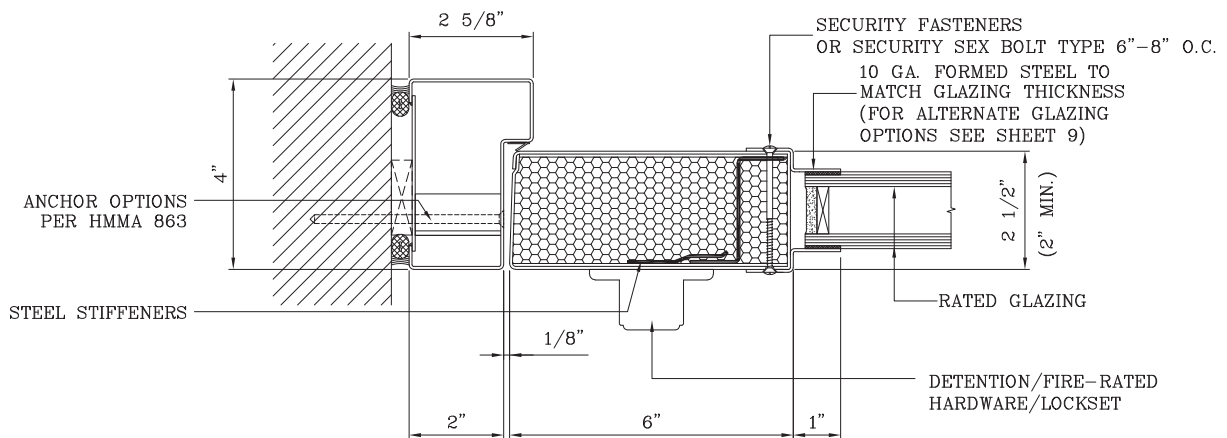
SHEET 7 OF 9

DETENTION AND FIRE-RATED DOOR

- INTERIOR APPLICATION - SWINGING -



1
8 DOOR MEETING STILES DETAIL



2
8 DOOR JAMB at LOCK DETAIL



DETENTION AND FIRE-RATED DOORS
ASTM F1450

DETAIL SHEET 8

DATE:

DRAWN:

SCALE:

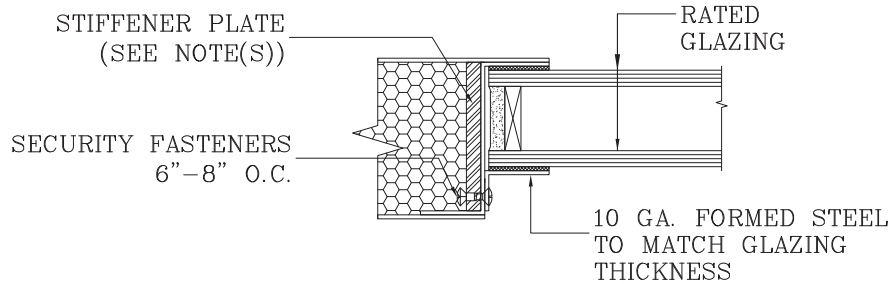
These details are subject to change without notice.

SHEET 8 OF 9

DETENTION AND FIRE-RATED DOOR

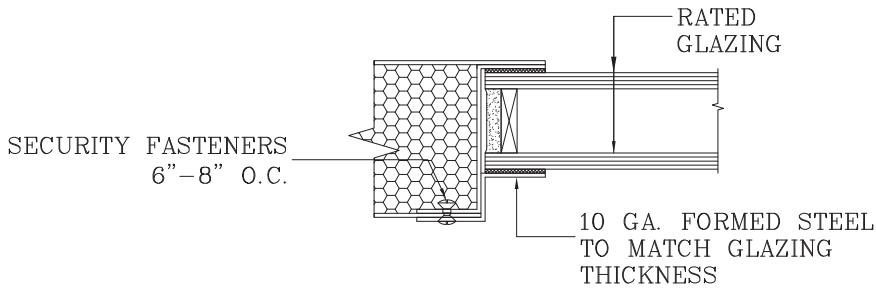
- INTERIOR APPLICATION - SWINGING -

ALTERNATE OPTIONS FOR GLAZING STOPS



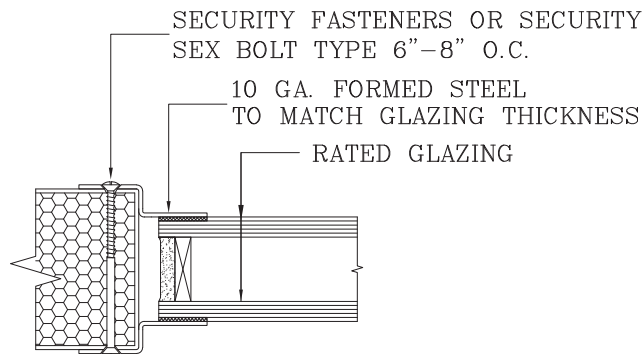
A
9

GLAZING STOP TYPE: A - FLUSH GLAZED



B
9

GLAZING STOP TYPE: B - FLUSH GLAZED



C
9

GLAZING STOP TYPE: C - CENTER GLAZED
(SHOWN IN STANDARD DETAILS)

NOTE(S): A STIFFENER PLATE NEEDS TO BE ADDED TO THE PERIMETER OF "A" TO HELP SECURE THE FASTENERS OF THE VISION KIT.



DETENTION AND FIRE-RATED DOORS
ASTM F1450

VISION/GLAZING OPTIONS

DATE:

DRAWN:

SCALE:

These details are subject to change without notice.

SHEET 9 OF 9