

BUILDERS SERIES 20-45 MINUTE FIRE PROTECTIVE DOORS



FIRE RATED



POSITIVE PRESSURE



APPROVED WITH SAFTI **FIRST** GLAZING



SAFETY GLAZING



SMOKE RATED



SINGLE DOOR



PAIR DOOR



GREEN



LISTED BY INTERTEK



LISTED BY UL



USA-MADE

PRODUCT ADVANTAGES

- ▶ 20-45 minute, full vision fire protective door tested and approved with patented **SuperClear® 45-HS-LI** (hose stream, low-iron) or **SuperLite® I-20** minute fire protective glazing by **SAFTI FIRST®**. For other available approved glazings, call **Titan Metal Products**.
- ▶ Standard door profiles include 5 in. door stile, 5 in. door top rail and 2 in. door frame. Narrow door profiles include 3-¾ in. door stile, 3-¾ in. door top rail and 1-1/8 in. door frame. Both the standard and narrow door profile options include a 10 in. ADA-compliant bottom rail, which can be modified with AHJ approval.
- ▶ Depending on glazing selection, door thickness ranges from 1-¾ in. to 3 in.
- ▶ Doors up to 10 ft. tall for interior or exterior applications.
- ▶ Listed and labeled by UL and Intertek.
- ▶ USA-manufactured for fast lead times and competitive pricing.
- ▶ 5 year manufacturer's warranty.
- ▶ For specialty construction including dutch doors, please call **Titan Metal Products**.



SIZE CHART

Maximum Door Opening

Single Door	Pair Door
54 in. x 120 in. (1.37 m x 3.05 m)*	96 in. x 120 in. (2.44 m x 3.05 m)*

*For maximum door sizes, continuous hinges will be required.

DOOR CONSTRUCTION

Doors and door frames are made in heavy duty steel. Door frames are shipped welded as standard and can be shipped knocked down upon request for ease of assembly in the field.

APPROVALS

UL 10B, UL 10C, UL 1784, NFPA 80, NFPA 252, ASTM E152, ASTM E2074, CAN/ULC-S104, CPSC 16 CFR 1201 Cat. I. & II., ANSI Z97.1, HMMA 860, HMMA 861, HMMA 866

HARDWARE OPTIONS

Titan Metal Products offers standard hardware packages and can accommodate most specialty hardware options.

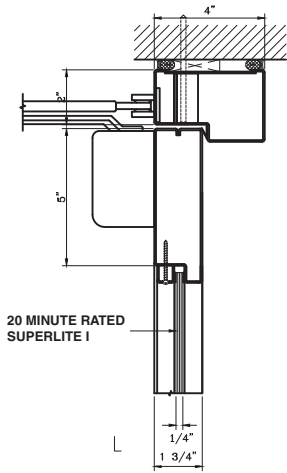


Titan Metal Products
USA

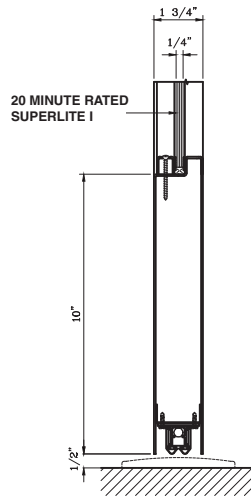
1-866-TITANMP (848-2667) | www.titanmetalproducts.com

BUILDERS SERIES 20-45 MINUTE FIRE PROTECTIVE DOORS

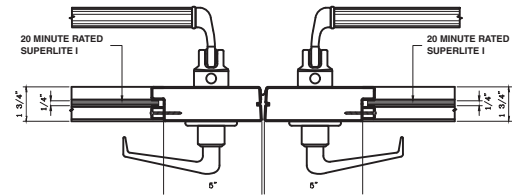
TYPICAL DETAILS



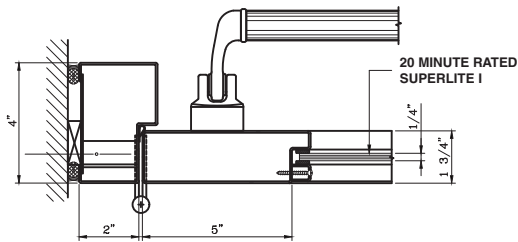
DOOR TOP RAIL DETAIL



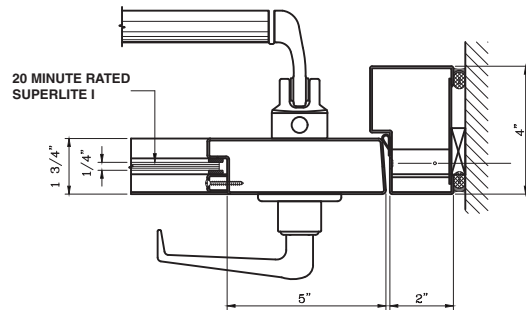
DOOR BOTTOM RAIL DETAIL



DOOR MEETING STILES DETAIL



DOOR JAMB AT HINGE DETAIL



DOOR JAMB AT LOCK DETAIL

MEMBERSHIPS



© Titan Metal Products. August 2023



Titan Metal Products
USA

1-866-TITANMP (848-2667) | www.titanmetalproducts.com